

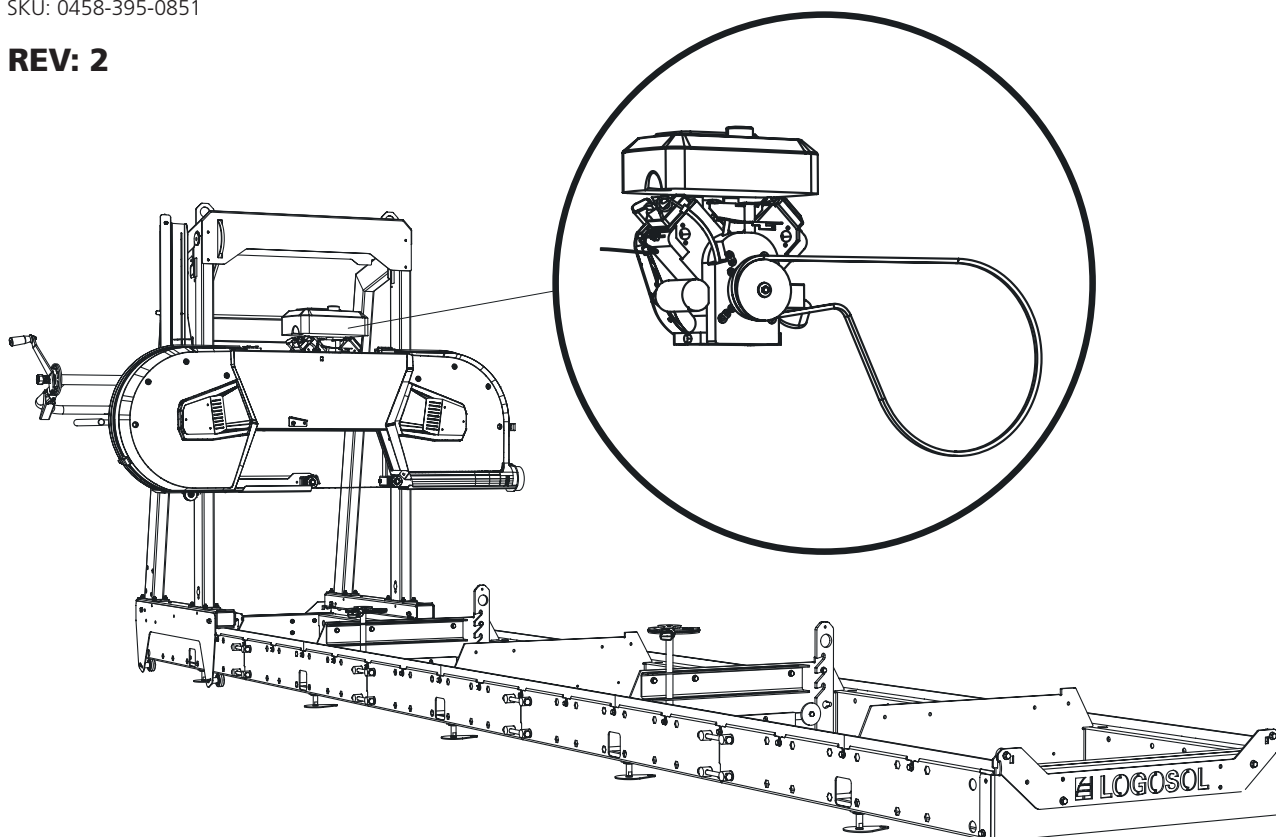


USER MANUAL

ORIGINAL USER MANUAL.

SKU: 0458-395-0851

REV: 2



13 HP BRIGGS & STRATTON

This manual describes installation of the petrol engine for the Logosol band sawmill.

Please see the user manual for your band sawmill for information on assembly, settings and safety instructions.



8200-000-0050
13 hp petrol engine
Briggs & Stratton

8400-000-0063
Accessory pack, 13 hp
Briggs & Stratton



FINAL SAW HEAD ASSEMBLY, 13 HP BRIGGS & STRATTON



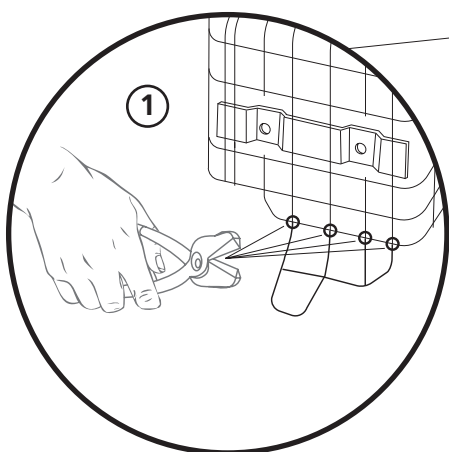
Read through all the set-up instructions before starting to set up, then follow the instructions step by step as you work.



After assembly, follow the instructions under *Setup sequence* in the sawmill manual to complete setup before starting the machine.

1

Unscrew the grille from the engine and remove the lower part of the heater grille as illustrated.



2

Then refit the heater grille on the engine.



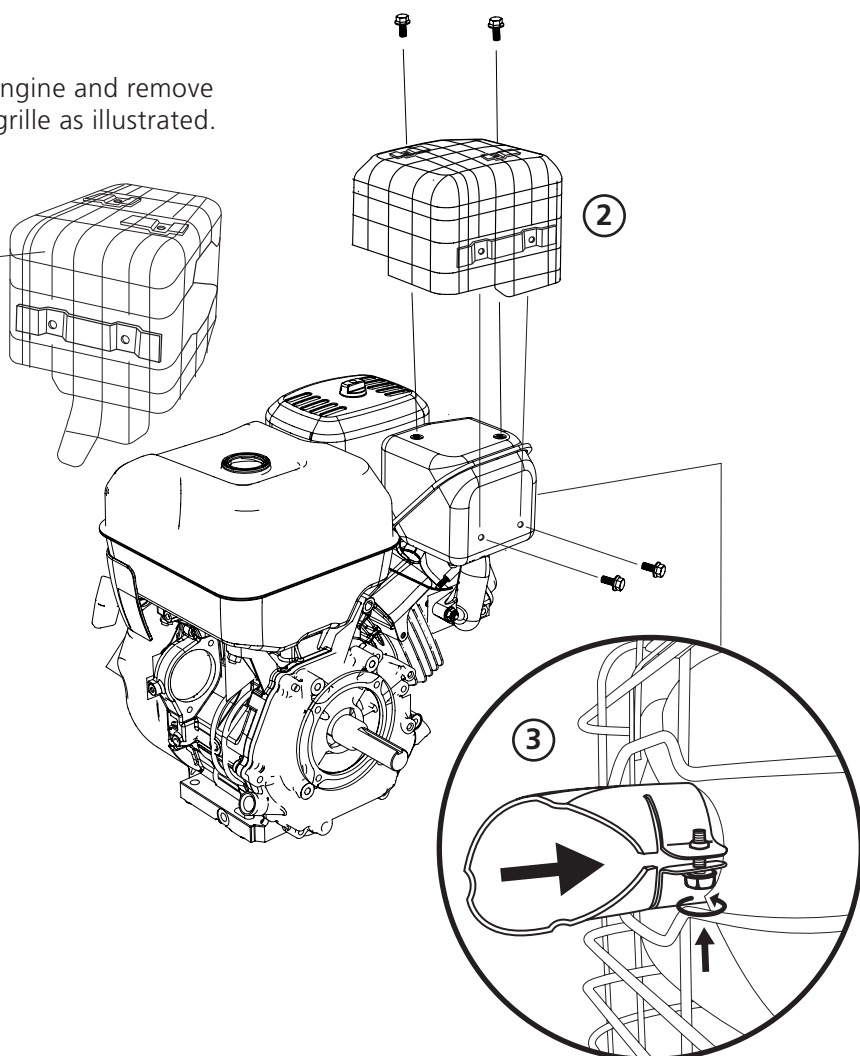
4 x – M5x12

3

Fitting the exhaust reflector on the silencer.



1 x – M4x12



WARNING! Heavy! Risk of injury.

! Two people are always required to help with heavy lifting.

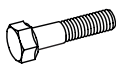


WARNING! Risk of entrapment.

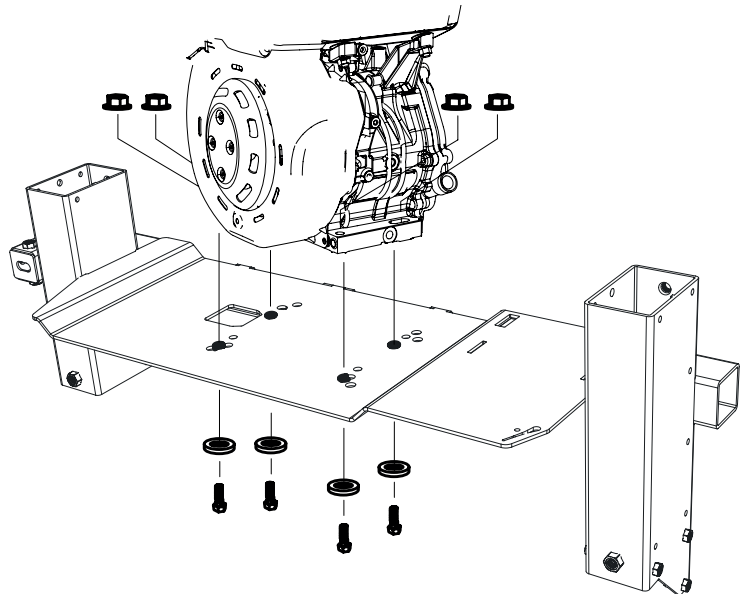
! Wear protective gloves and handle the engine carefully when placing it down on the engine shelf.

INSTALLATION: ENGINE AND THROTTLE CABLE

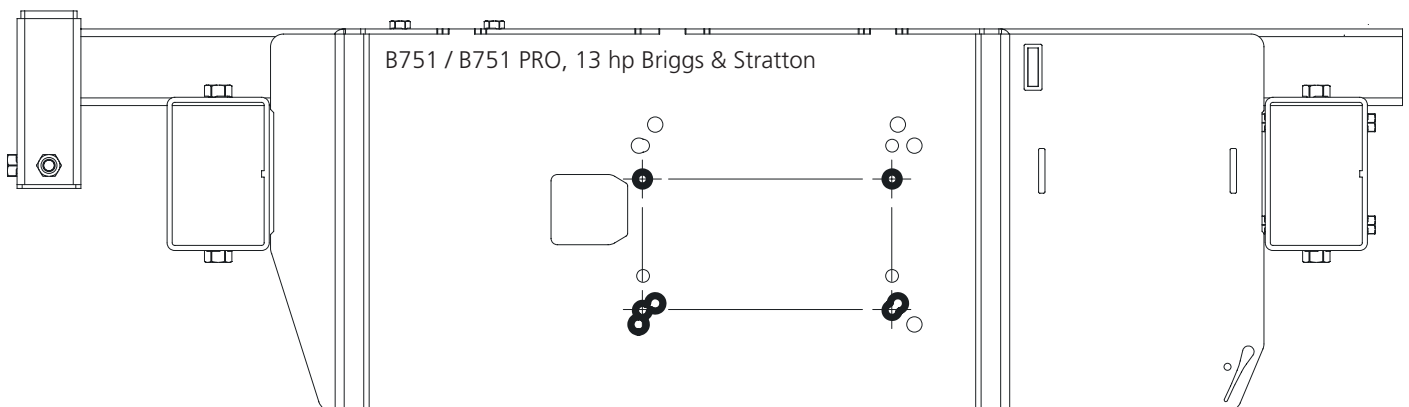
The engine has to be installed on the engine shelf and secured using the fastening screws. The centrifugal clutch has to be fitted, and the drive belt and throttle cable also have to be fitted on the sawmill. Follow the assembly instructions, then run through the setup sequence for the machine when assembly is complete.

3 Install the engine on the engine shelf:
Install the engine on the saw head before placing the saw head on the rail. Two people are always required to help when the engine is lifted into place. The illustration below shows the hole pattern for installing the 13 hp Briggs engine.

-  4 x – M10x40
-  4 x – M10
-  4 x – SKB 11x3,5x2



Top view:



4

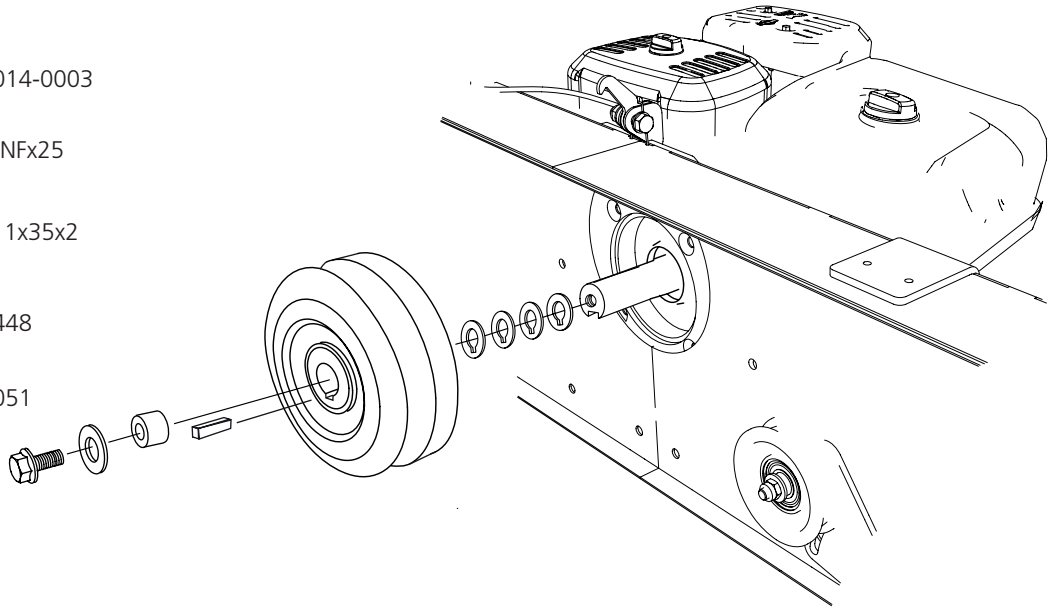
1 x - 9021-014-0003

1 x - 7/16 UNFx25

1 x - SRKB 11x35x2

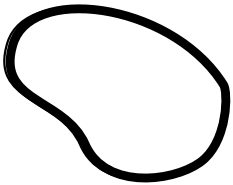
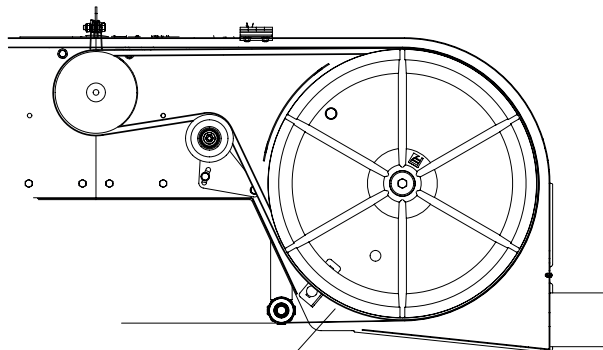
4 x - 03-02448

1 x - 03-02051



5

Thread the drive belt around the drive wheel and over the tensioner.

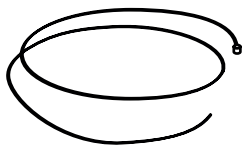
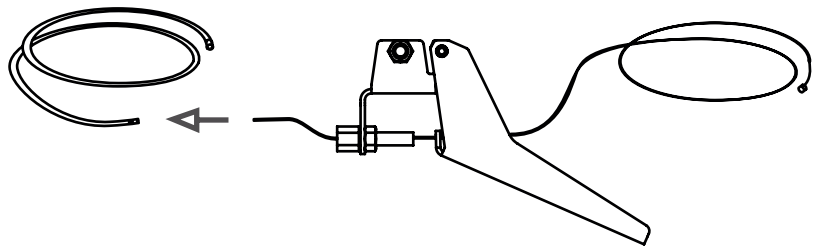


1 x - 9020-011-0091

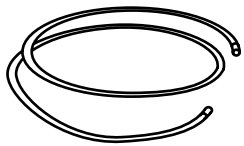


6

Install the end of the cable in the throttle handle, then thread it into the sheath.



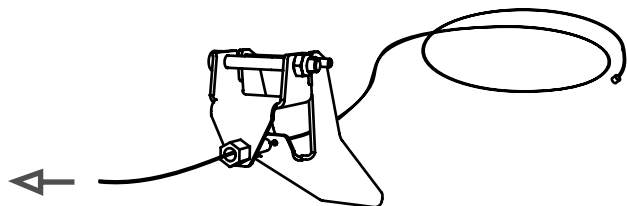
1 x - 8000-001-6054



1 x - 8000-001-6057



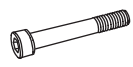
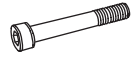


1 x - 8000-001-6060

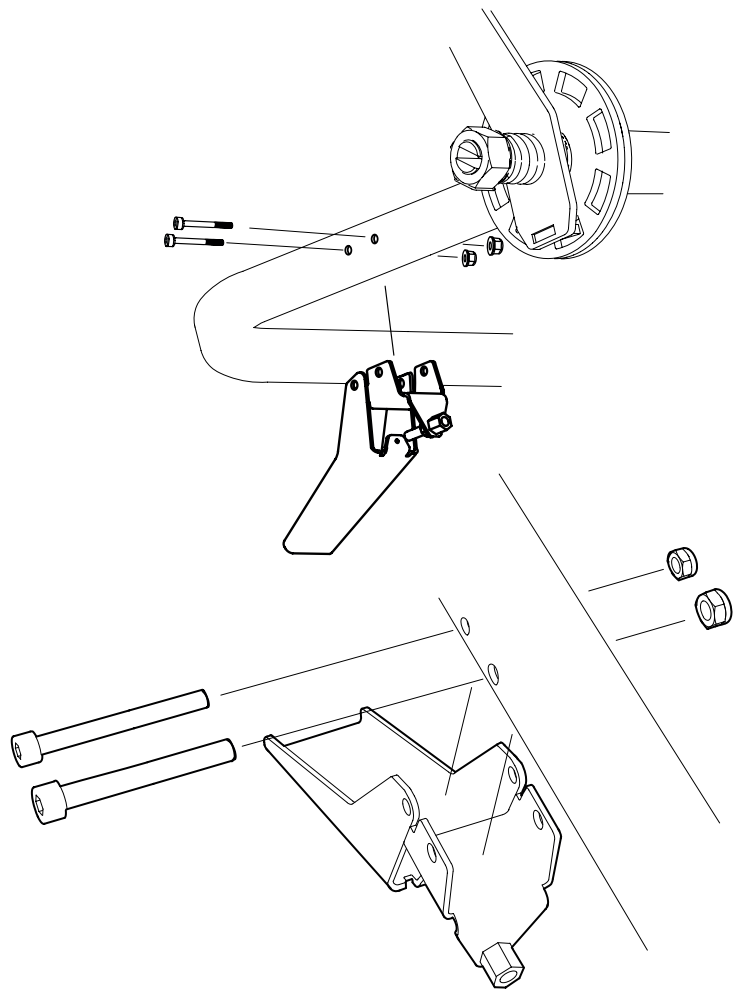


7

Fit the handle on the handle tube.

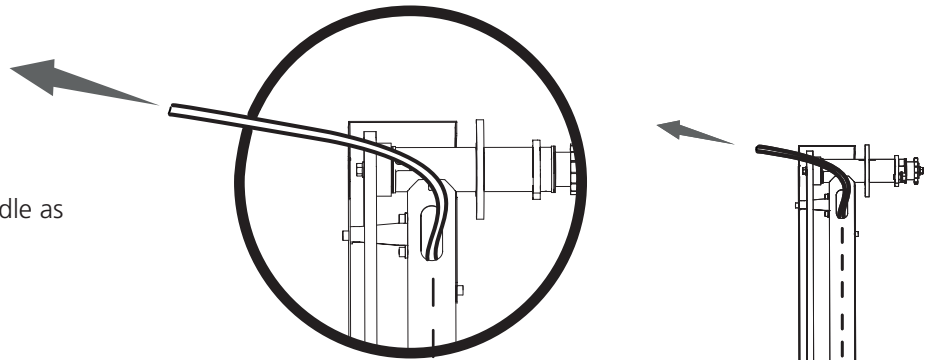
If this handle is fitted:
Cut the wire housing to 1600 mm.

-  1 x – M6x50
-  1 x – M5x50
-  1 x – M6
-  1 x – M5



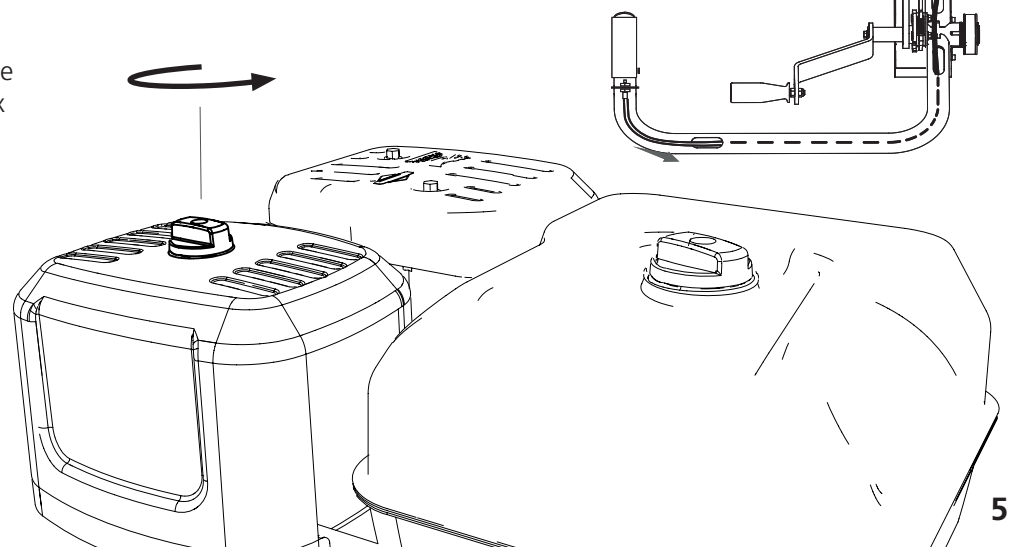
8

Pull the wire and wire housing into the handle as illustrated. If this handle is installed:
The wire housing = 2900 mm.

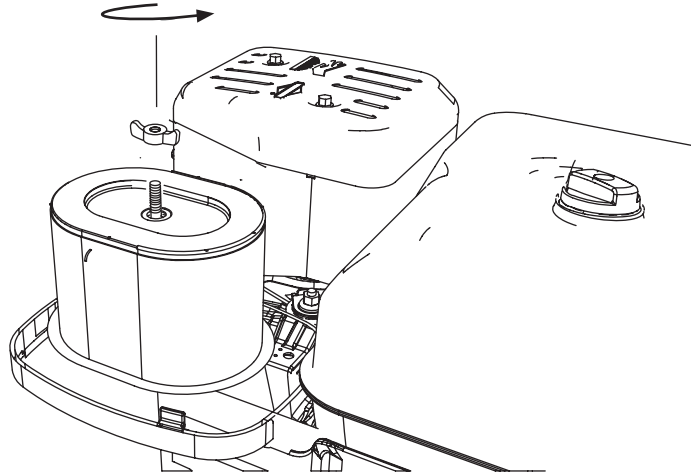


9

Release and unscrew the knob holding the airbox in position.



- 10** Release the wing nut and remove the air filter.



WARNING! Risk of serious injury.

Before adjusting the throttle cable tension on the engine: turn the ignition to OFF and close the fuel valve.

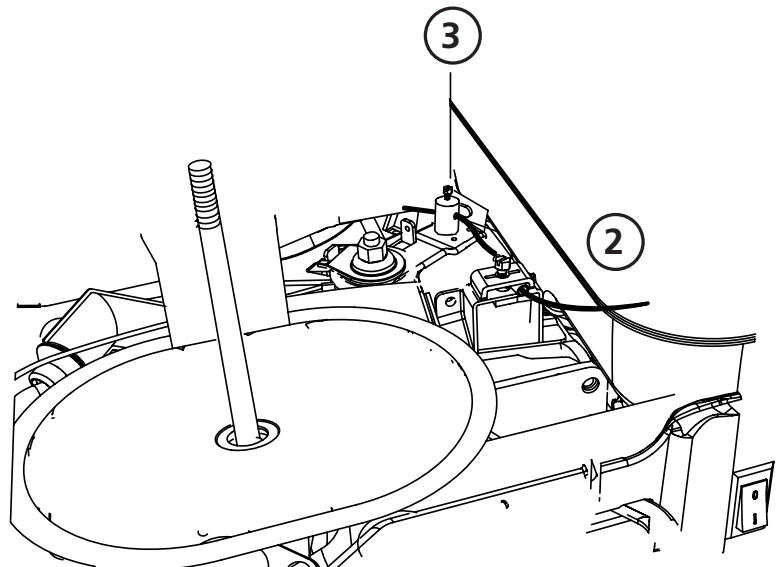
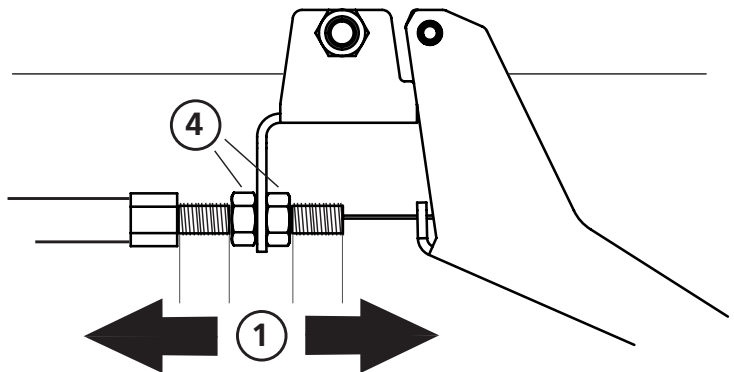
Always start the machine from the operator's station. Always switch off the machine before adjusting the throttle cable tension on the engine side.

WARNING! Risk of burn injuries. The engine and its muffler get very hot during operation and remain hot for a while after shutdown.

Allow the engine and silencer to cool before servicing or performing maintenance on the machine.

11 THROTTLE ADJUSTMENT

- Start by adjusting the throttle cable at the throttle handle so that you have equal adjustment travel in both directions **(1)**
- Attach the other end of the cable housing to the clamp on the engine **(2)**
- Screw the cable into the nipple **(3)**. Make sure that the throttle is in the neutral/unaffected position when doing this.
- Check that you have 1 to 3 mm of clearance in the throttle handle, and that the cable moves freely. Adjust the cable tension at the throttle handle **(1)**, if necessary
- Start the engine and check that it is idling and that the saw blade does not move while the throttle handle is in idle position. Adjust the cable tension at the throttle handle **(1)**, if necessary
- Secure the adjustment using the locking nuts **(4)**



WARNING! Risk of serious injury.

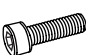
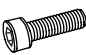



The hinge switch for the machine has to be fitted before commissioning the machine

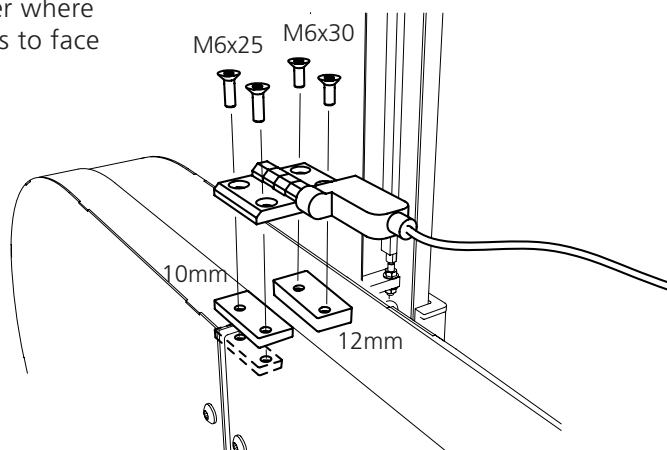
Always switch off the machine from the operator's position before working on the saw head.

WARNING! Risk of burn injuries. The engine and its muffler get very hot during operation and remain hot for a while after shutdown.

Allow the engine and silencer to cool before servicing or performing maintenance on the machine.

12 Now install the safety hinge on the side of the cover where no hinge is installed. Note that the cable output has to face the middle of the engine shelf.

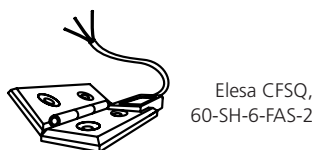
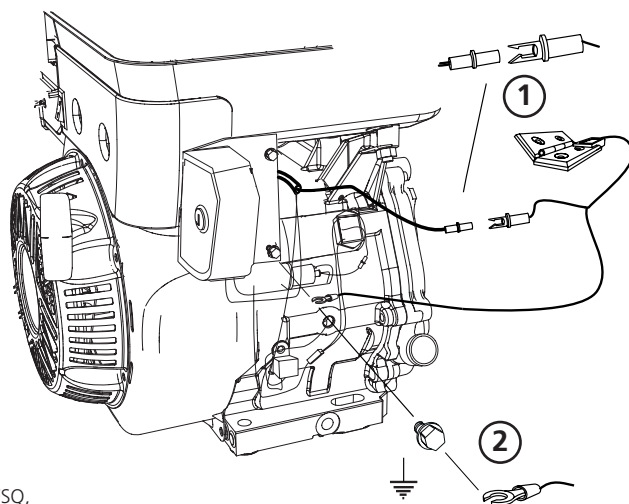
-  2 x – M6x25
-  2 x – M6x30
-  1 x – 03-01997
- 10mm
-  1 x – 03-02080
- 12mm
-  2 x – 03-02182



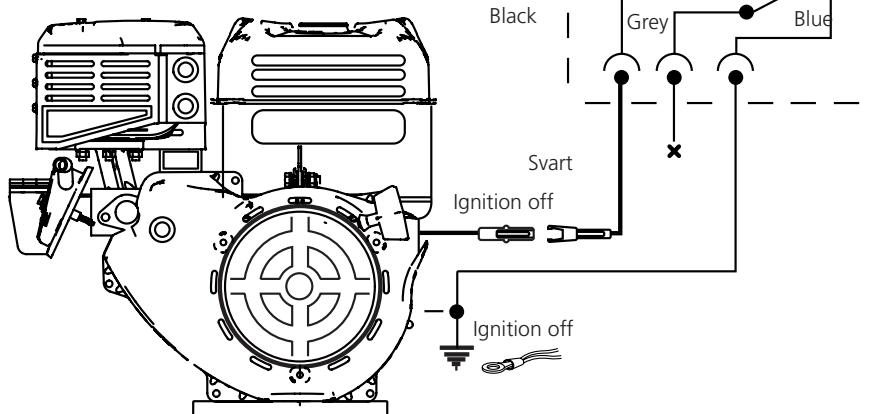
13 Now connect the safety switch to the engine as illustrated.

- Connect **(1)** to the lower engine connector.
- Then secure **(2)** to the top screw.

How to check the safety function: Start by opening the cover. Turn the ignition key from the operator's station to start the engine. The installation is correct if the engine does not start when the key is turned. Switch off the engine from the operator's station if the engine starts with the cover open. Then double-check the connection and contact Logosol for support.



WIRING DIAGRAM FOR SAFETY SWITCH





Well done!

Now you have finished installing the engine, go back to the manual for your band sawmill and carry on with the setup sequence, starting at the point as indicated in the instructions below.

SETUP SEQUENCE



Read through all the set-up instructions before starting to set up, then follow the instructions step by step as you work.



IMPORTANT!

It is important to adjust the saw head before starting to ensure satisfactory sawing and the correct functioning of the sawmill. Follow the setup sequence carefully! Certain adjustments affect other machine settings.

LOGOSOL

Arkiwägen 6, SE-871 53 Härnösand, Sweden
+46 611-182 85 | info@logosol.com | www.logosol.com