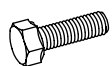


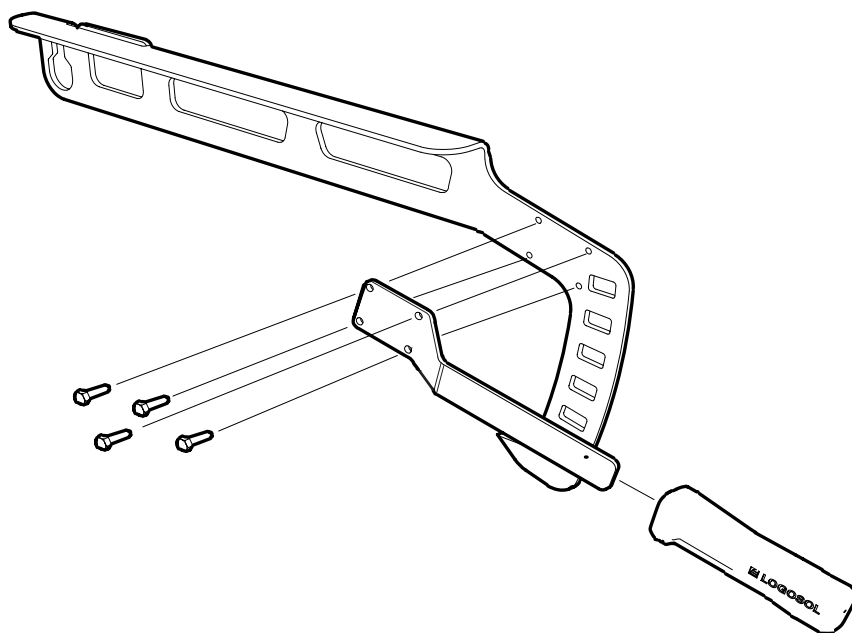
ASSEMBLY INSTRUCTIONS

SKU. 0458-395-5681

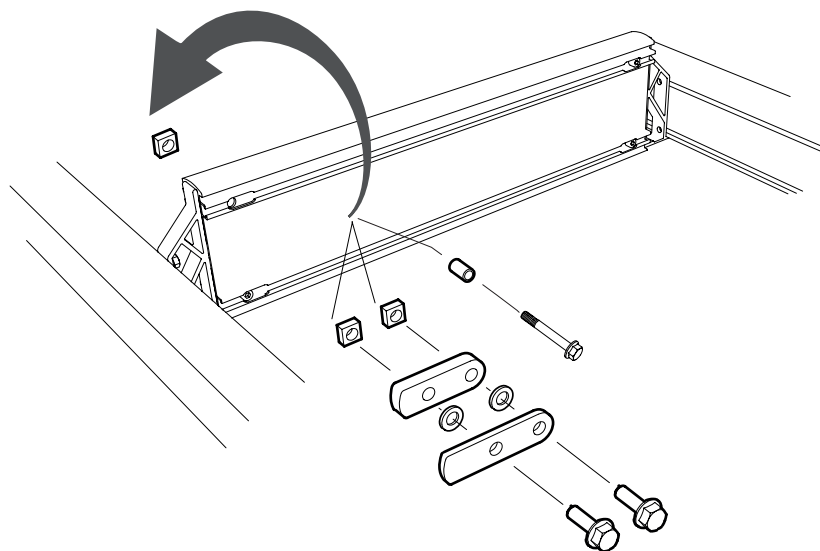
REV:2



4 x - M5x8



Move the log support attachment point to the opposite side of the log shelf.



MANUAL TOE BOARD B701

