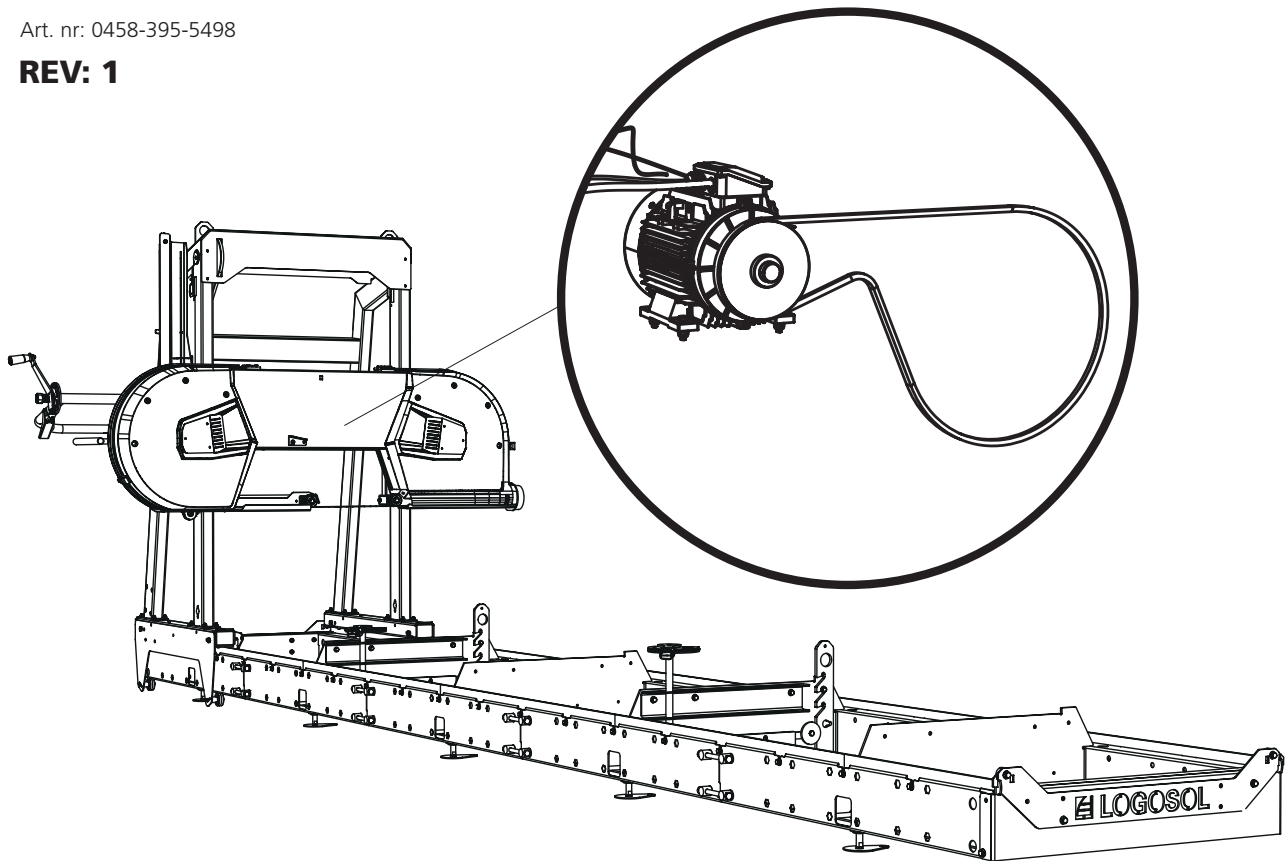


USER MANUAL

ORIGINAL USER MANUAL.

Art. nr: 0458-395-5498

REV: 1



4,6 / 8 / 12 KW

01-00892

CUT SET RETRO-FIT

This manual describes installation of the electric motor for the Logosol band sawmill.

Please see the user manual for your band sawmill for information on assembly, settings and safety instructions.



4,6 / 8 / 12KW



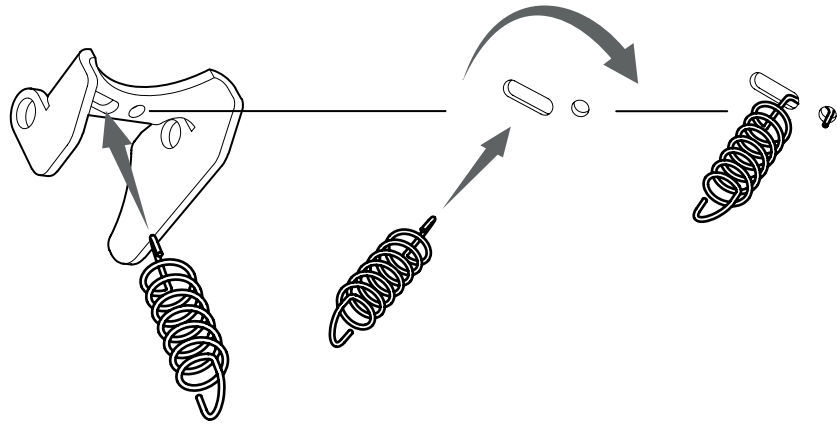
Read through all the set-up instructions before starting to set up, then follow the instructions step by step as you work.



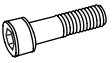
After assembly, follow the instructions under *Setup sequence* in the sawmill manual to complete setup before starting the machine.



1



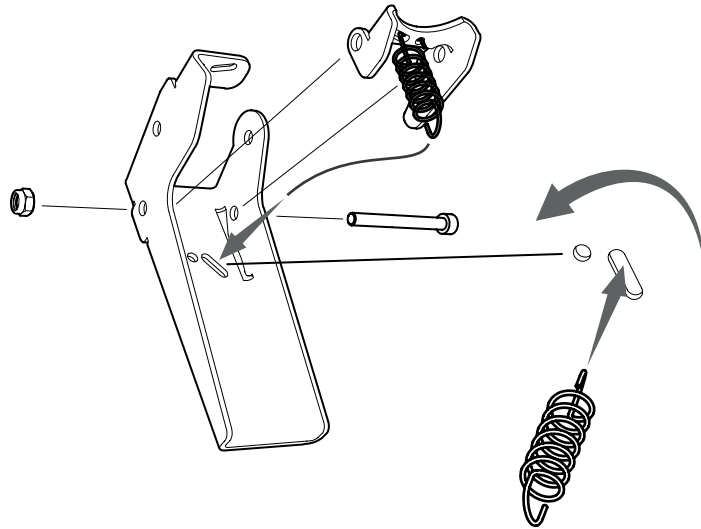
2



1 x - M5x50



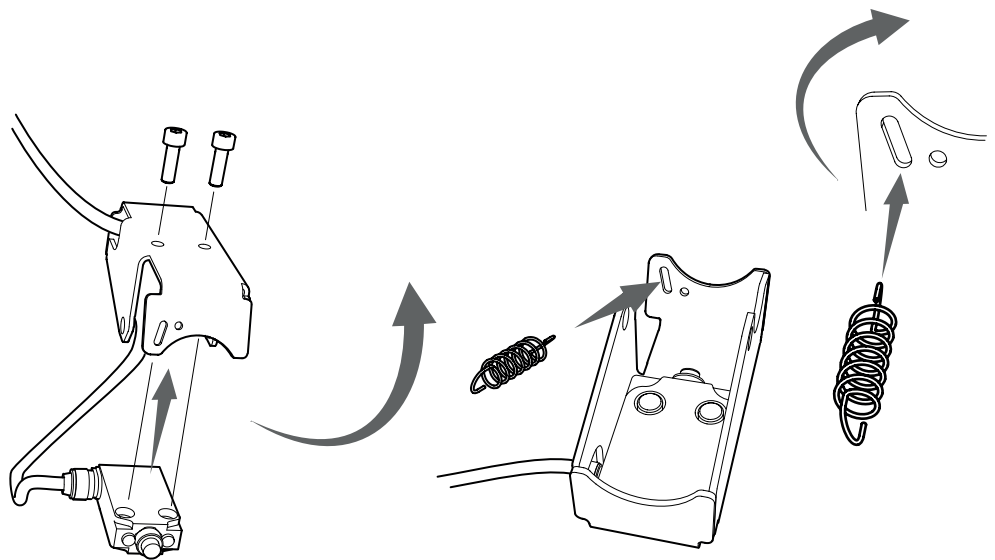
1 x - M5



3

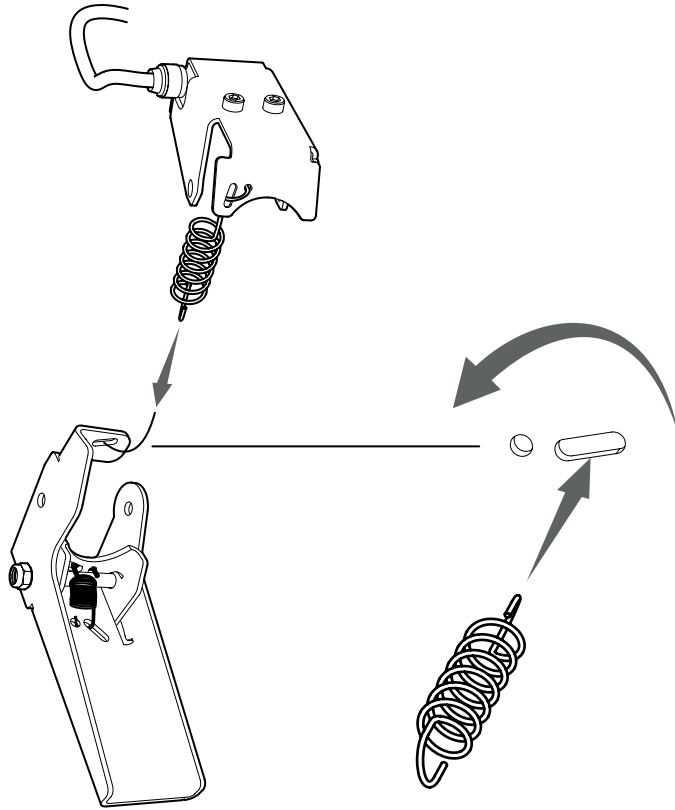


2 x - M5x16

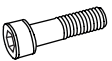




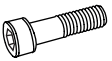
4



5



1 x - M6x50



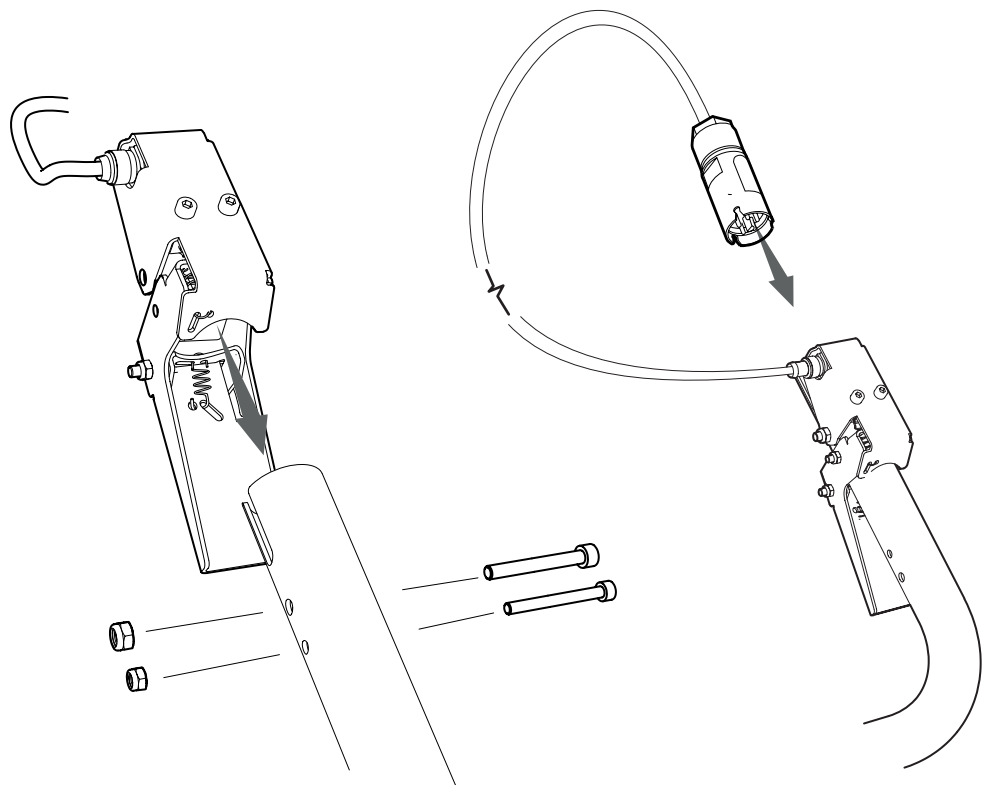
1 x - M5x50



1 x - M6

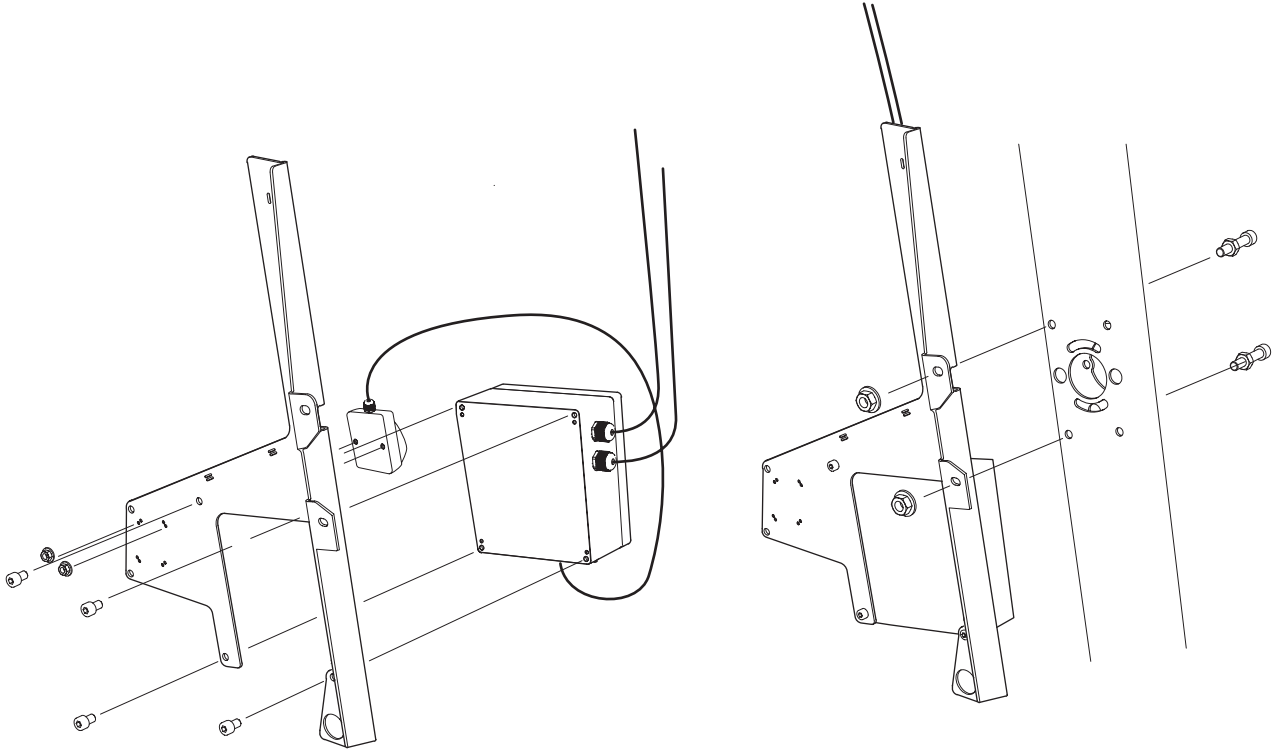


1 x - M5

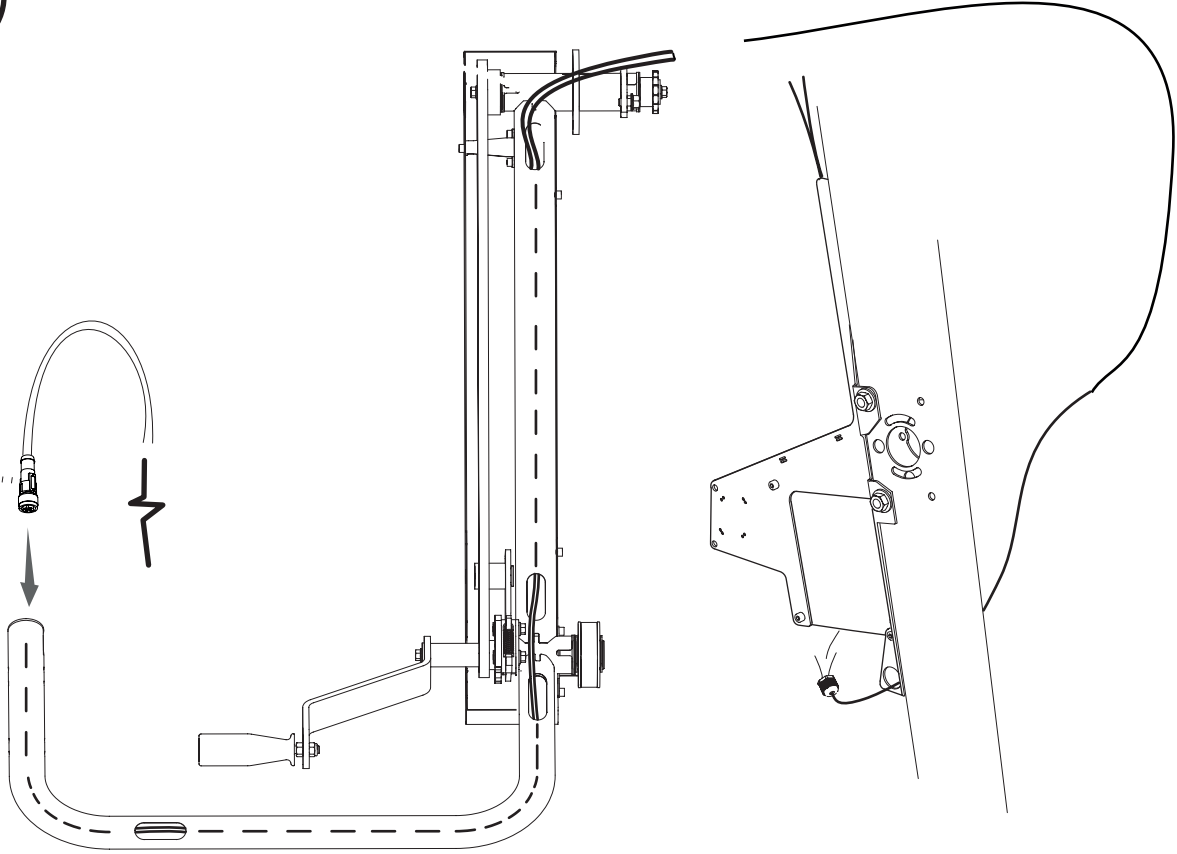


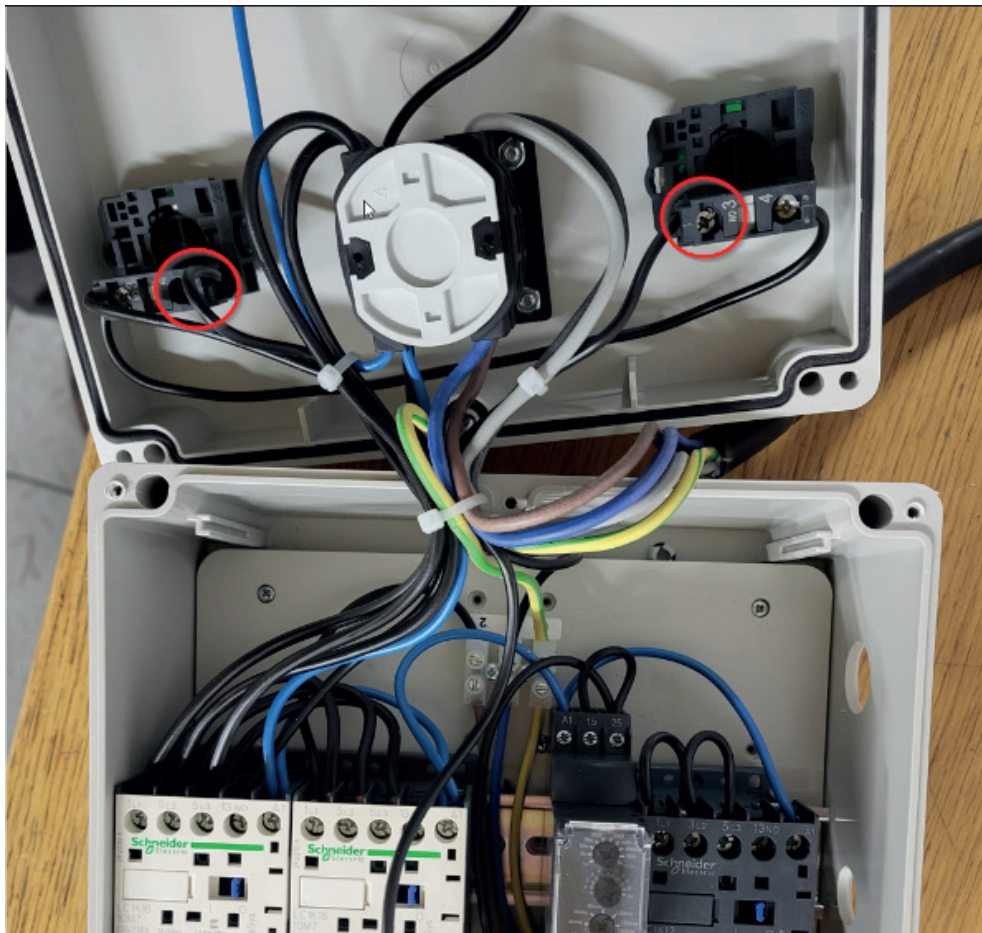
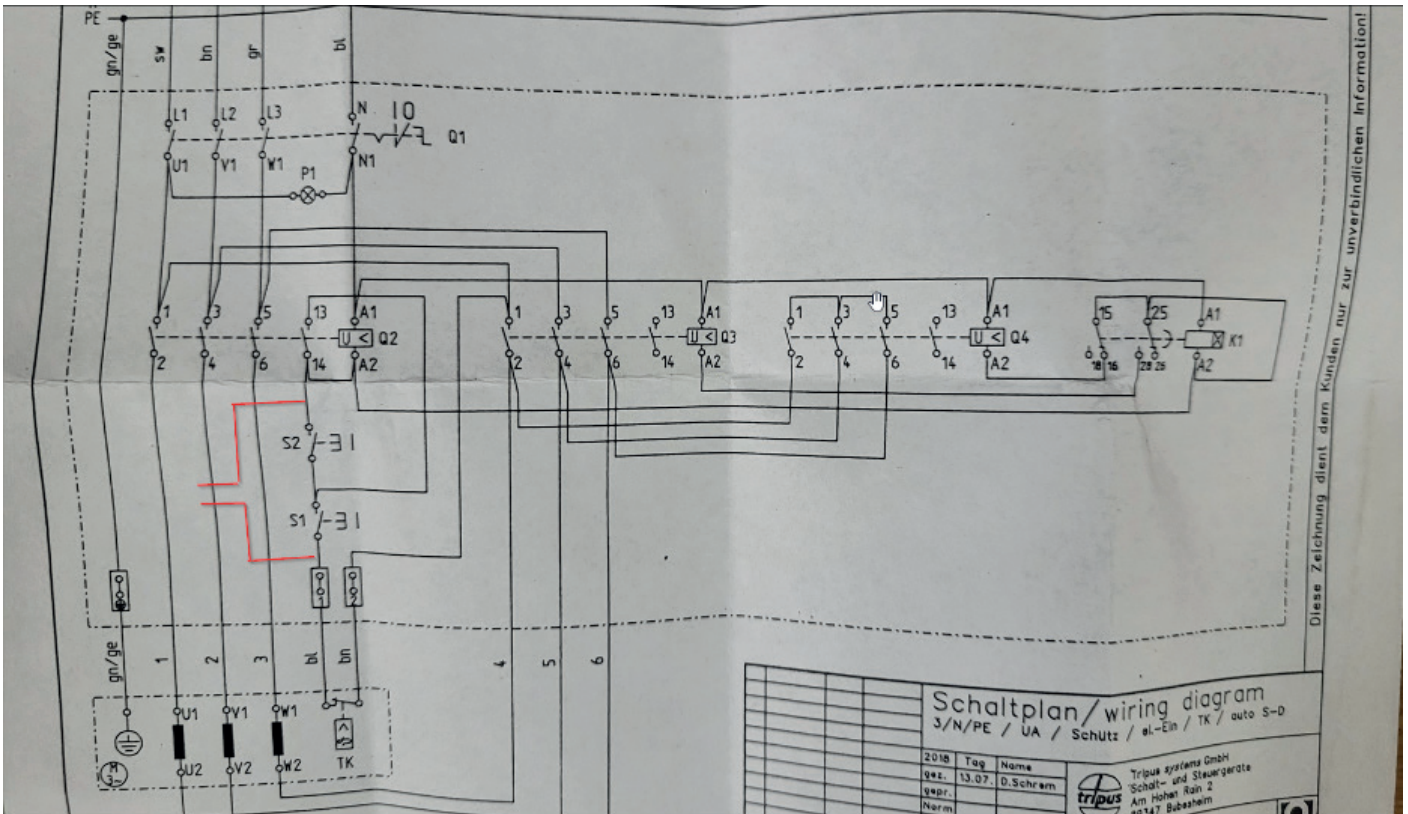


6



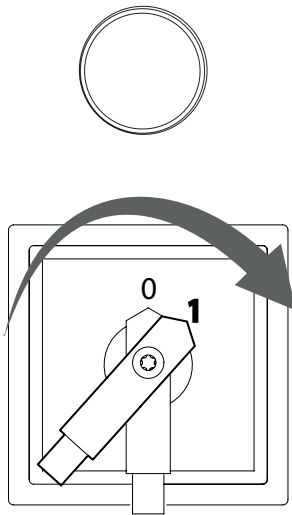
7



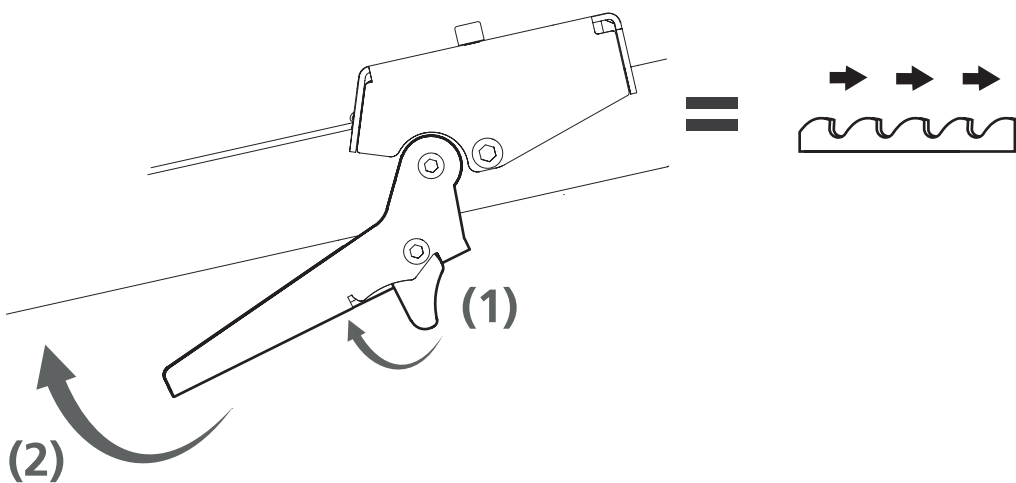


TURN ON/OFF THE SWITCH BOX

Turn the dead man's switch to (1) to turn on the power supply to the machine.



START THE MOTOR





Well done!

Now you have finished installing the motor, go back to the manual for your band sawmill and carry on with the setup sequence, starting at the point as indicated in the instructions below.

SETUP SEQUENCE



Read through all the set-up instructions before starting to set up, then follow the instructions step by step as you work.



IMPORTANT!

It is important to adjust the saw head before starting to ensure satisfactory sawing and the correct functioning of the sawmill. Follow the setup sequence carefully! Certain adjustments affect other machine settings.

LOGOSOL

Arkivgatan 6, SE-871 53 Härnösand, Sweden
+46 611-182 85 | info@logosol.com | www.logosol.com