

ASSEMBLY INSTRUCTIONS

SKU: 0458-395-5592

REV: 1

1



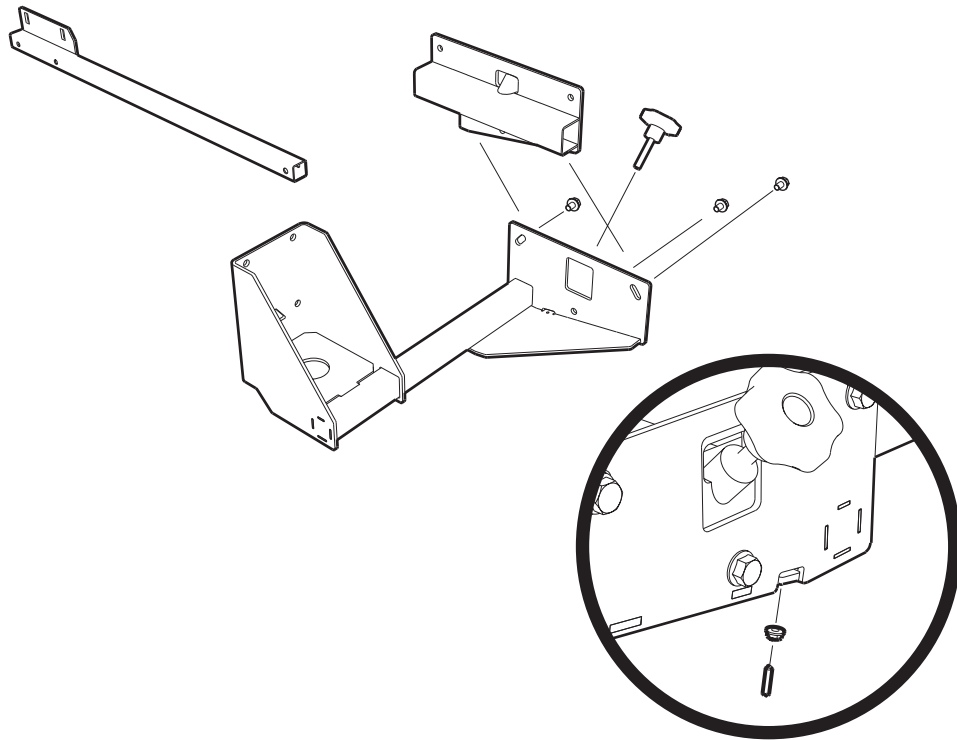
3 x – M8x14



1 x – M4x16



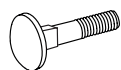
1x – M4



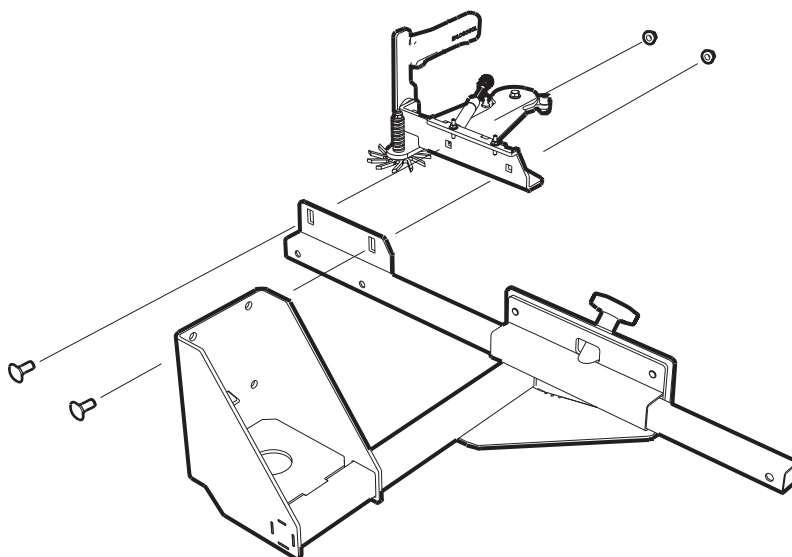
2



2x – M8



2x – M8x20



PRE-CUTTER

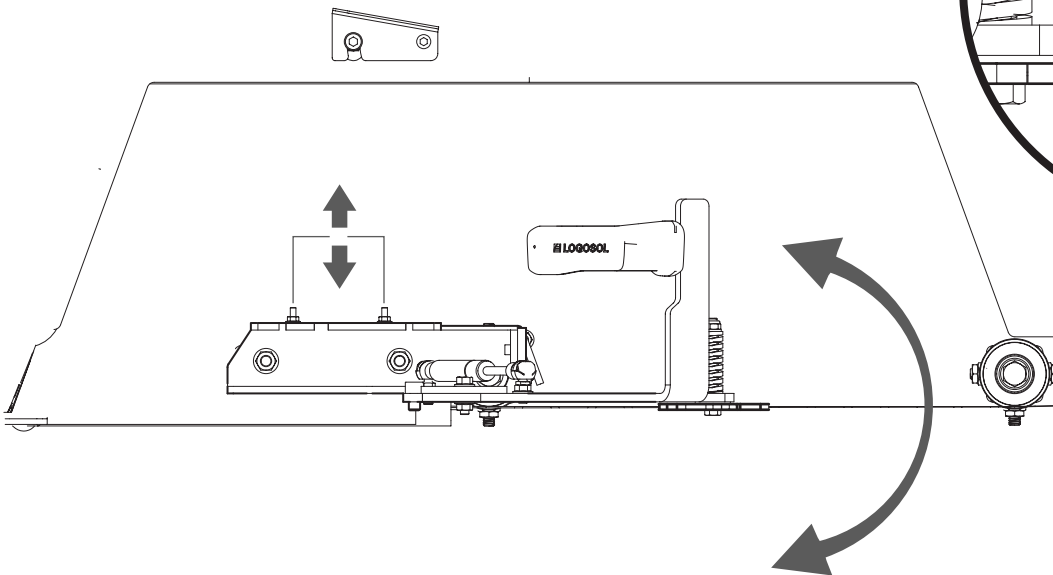
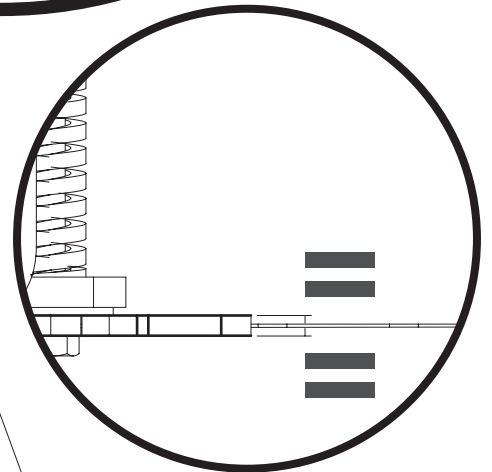
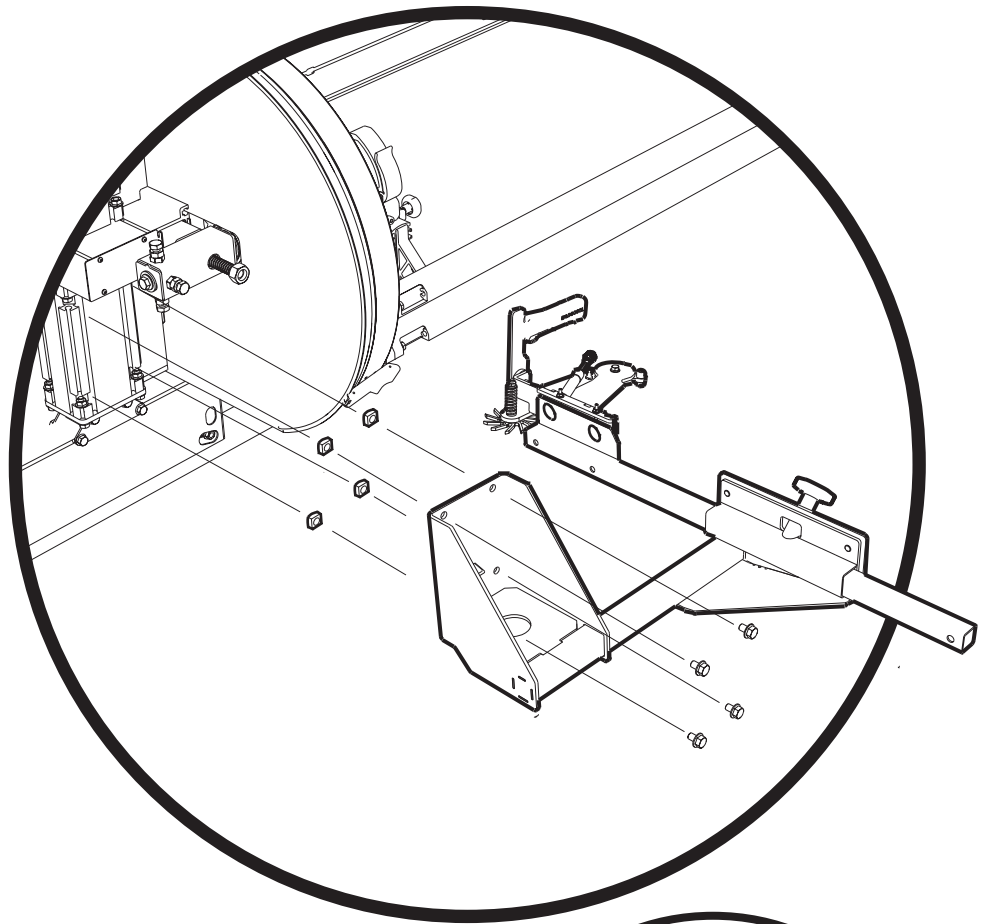
B701, B901 PRO



4 x - M8x12



4 x - M8



 **LOGOSOL**

Arkivvägen 6, SE-871 53 Härnösand, SWEDEN
+46 (0)611-182 85 | info@logosol.com | www.logosol.com