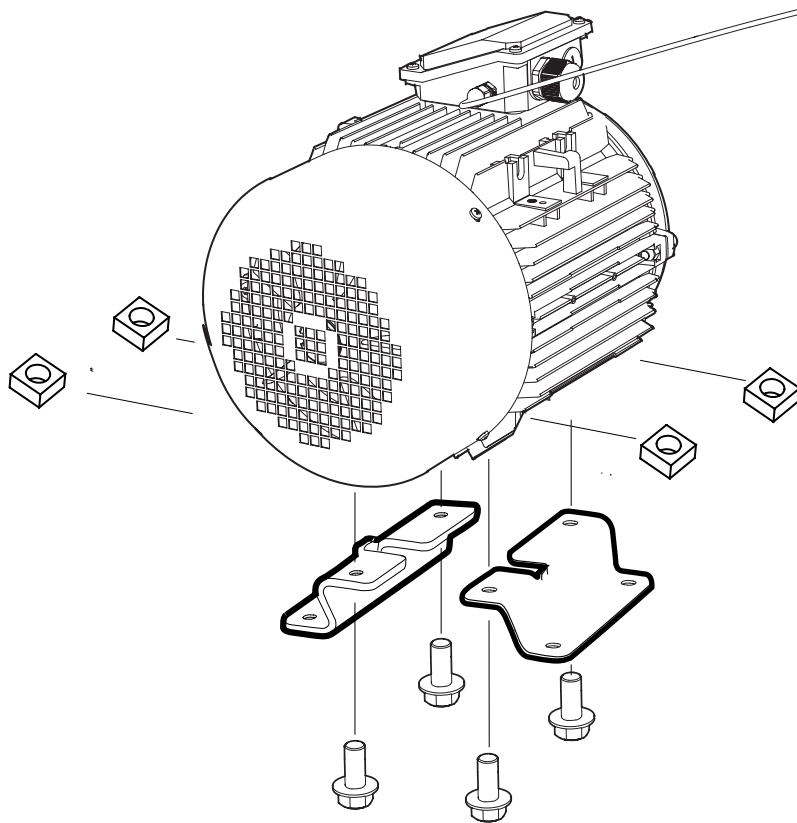


USER MANUAL

ORIGINAL USER MANUAL.

SKU: 0458-395-0881

REV: 1



B901 8 KW ELECTRIC MOTOR

This manual describes installation of the electric motor
for the Logosol band sawmill.

Please see the user manual for your band sawmill
for information on assembly, settings and safety instructions.



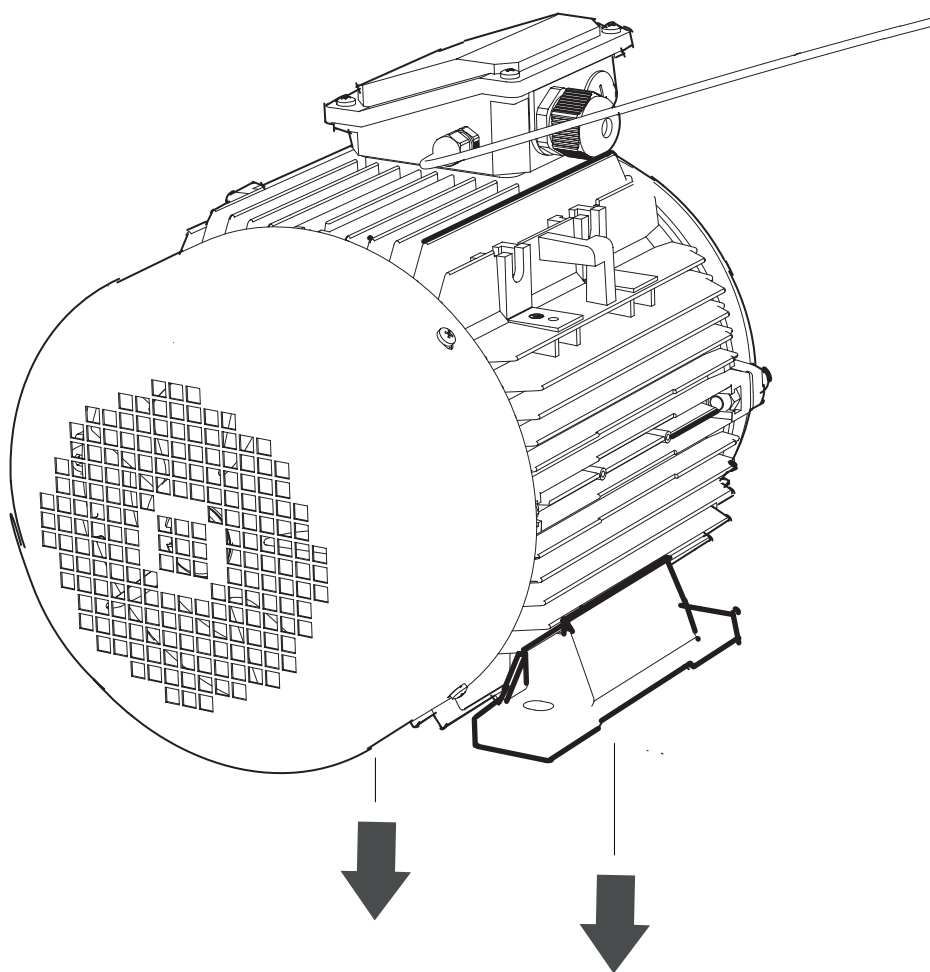
Read through all the set-up instructions before starting to set up, then follow the instructions step by step as you work.



After assembly, follow the instructions under *Setup sequence* in the sawmill manual to complete setup before starting the machine.

1

Remove the feet from the motor.



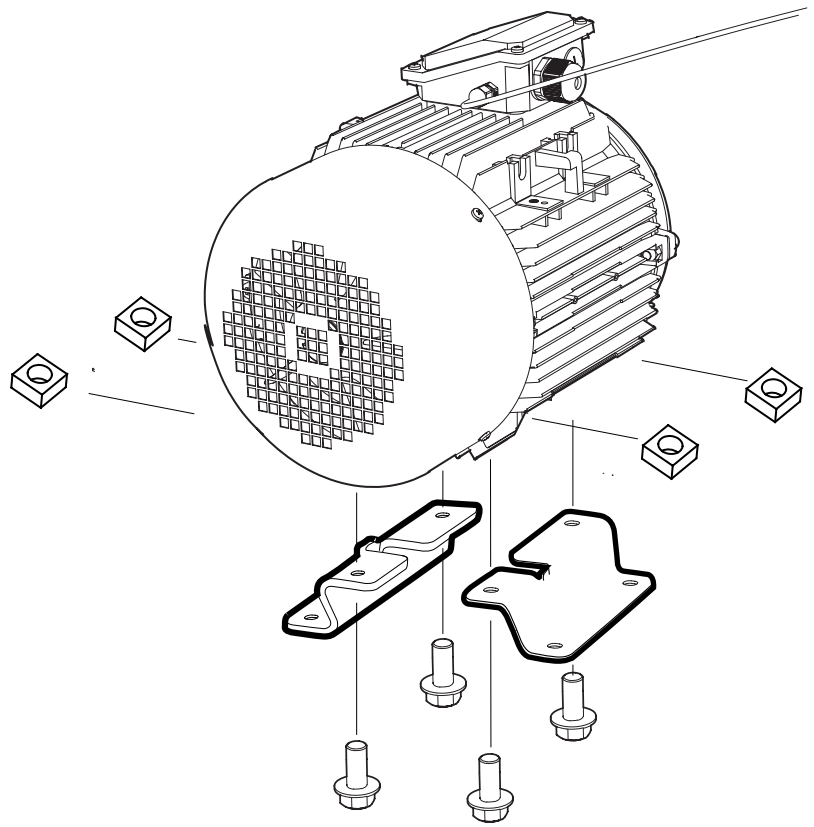
2



4 x - M10x20



4 x - M10



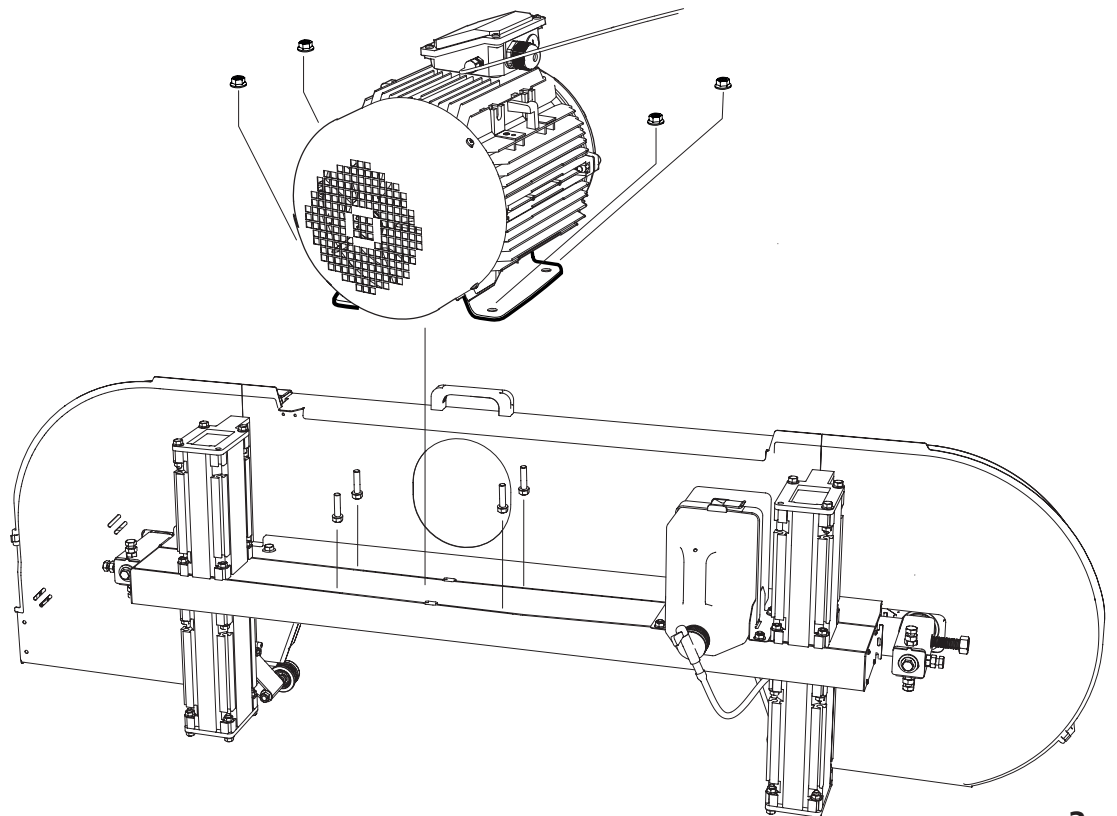
3



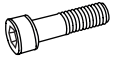
4 x - M8x14



4 x - M8



4



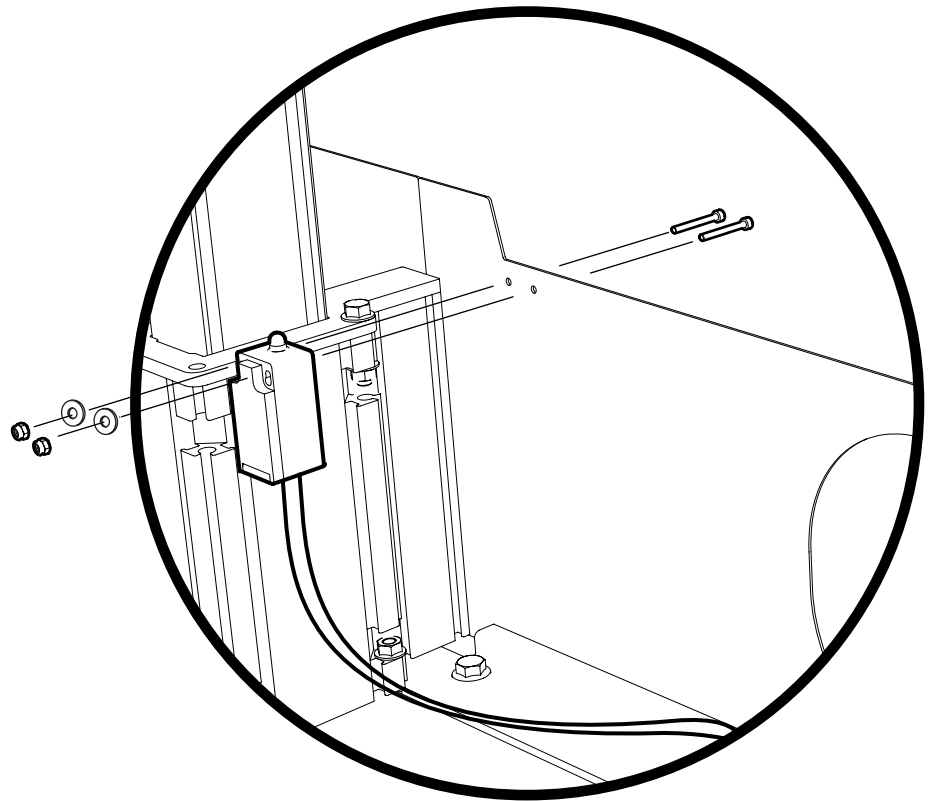
2 x – M4x35



2x – M4



2 x – M4

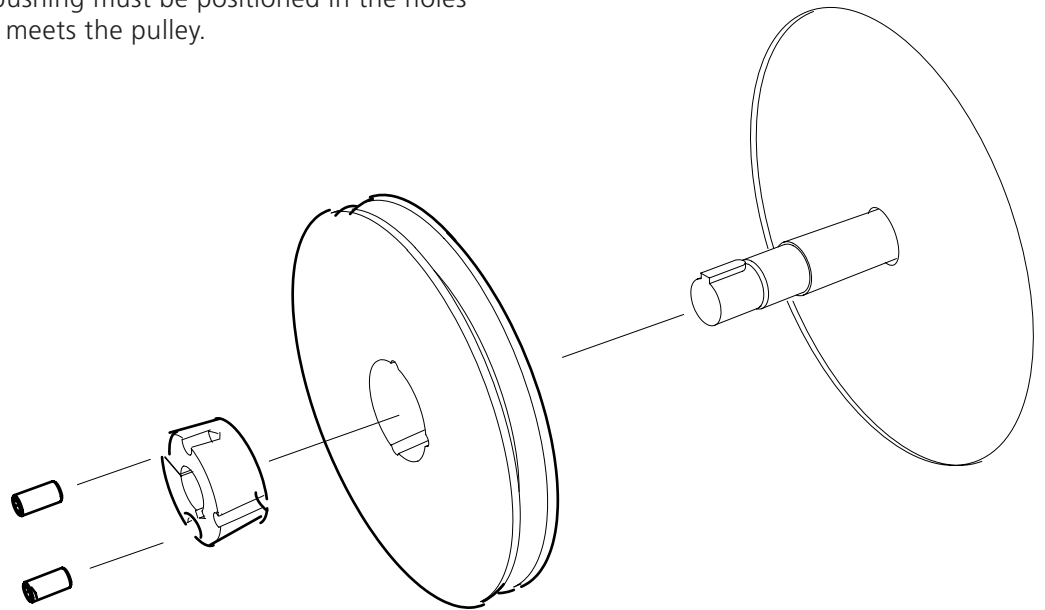


5

The screws that clamp the bushing must be positioned in the holes where the threaded section meets the pulley.

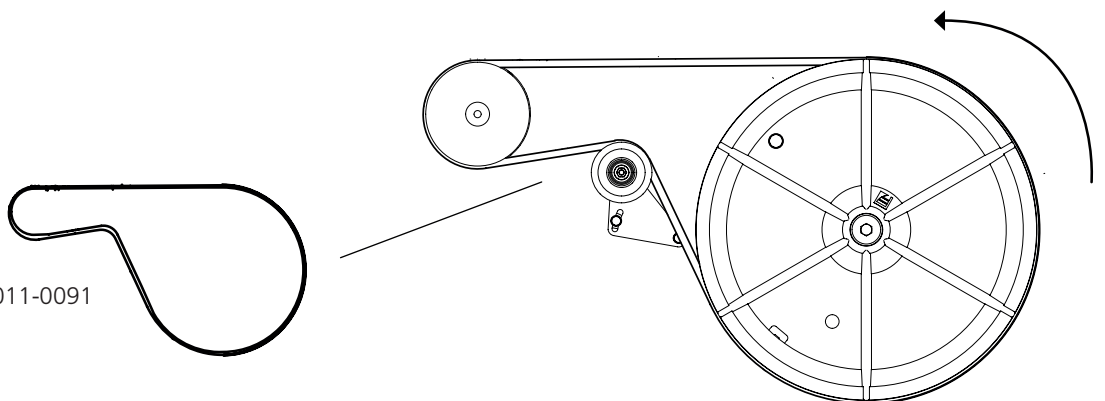


2 x – M10x20

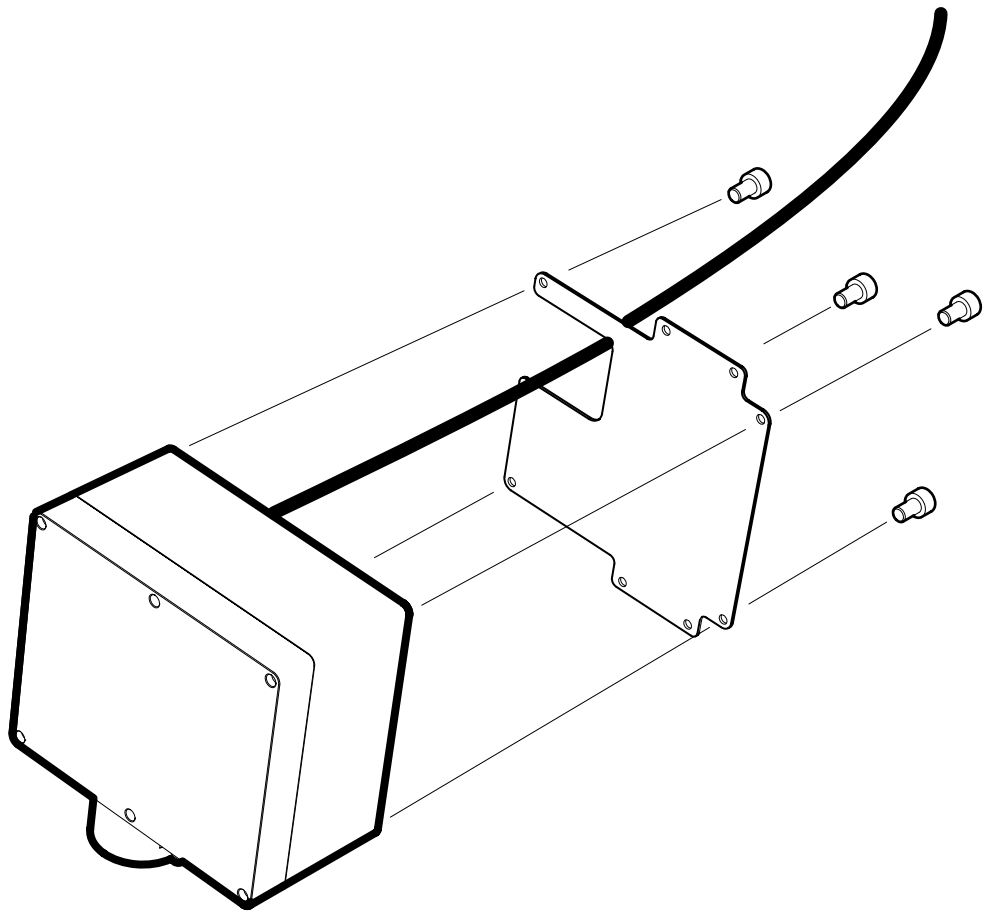


6

1 x – 9020-011-0091

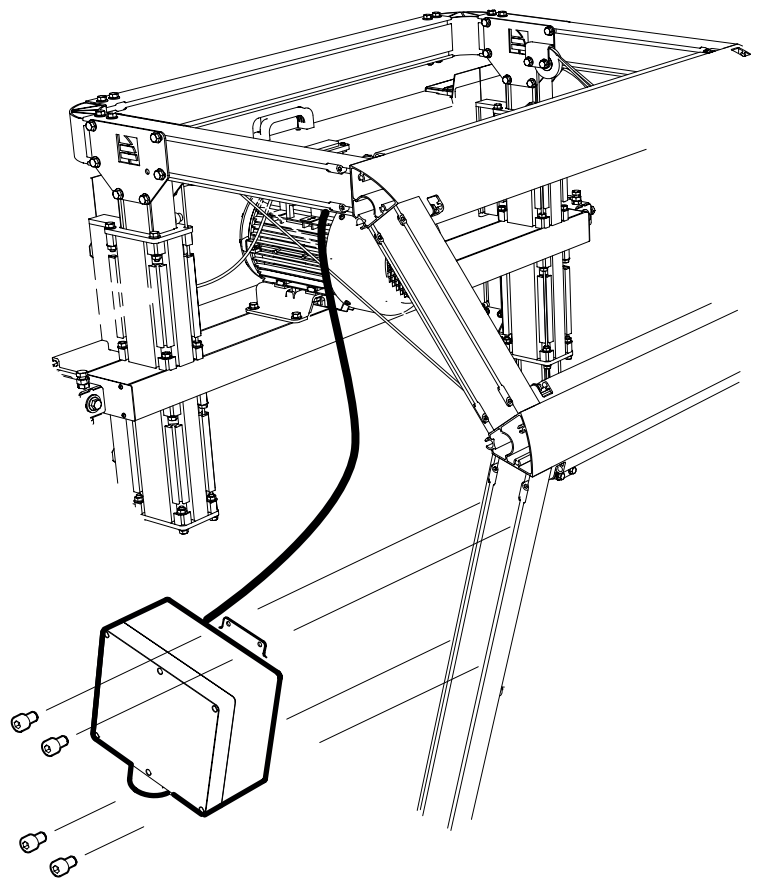


7



8

Please note that the cable to the motor must be positioned between the lifting rope and the frame.



9

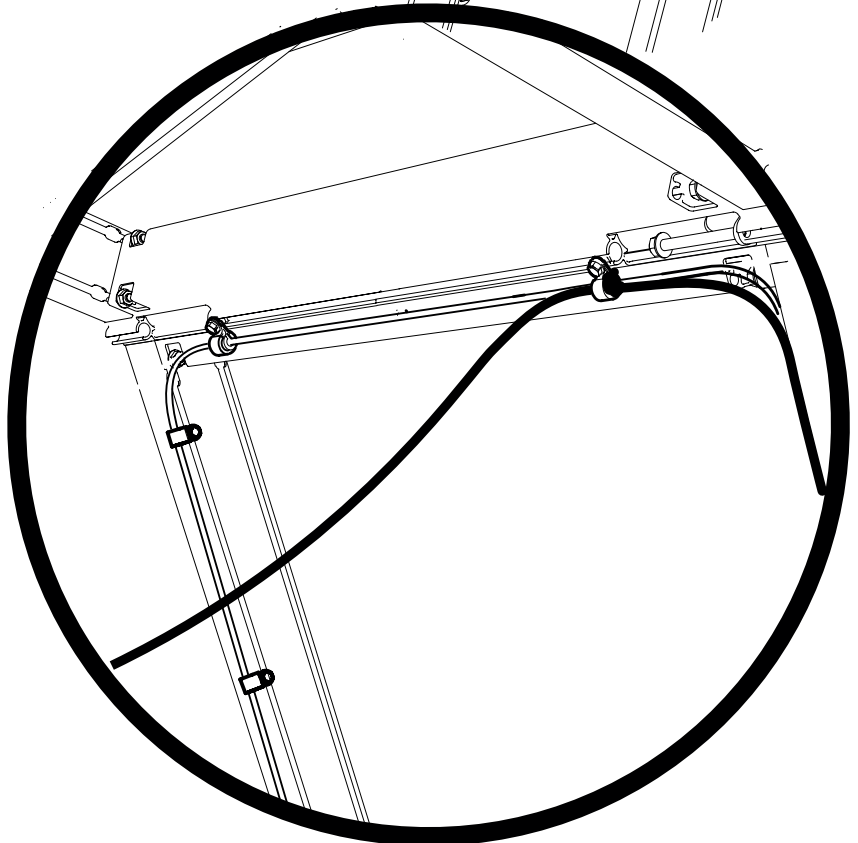
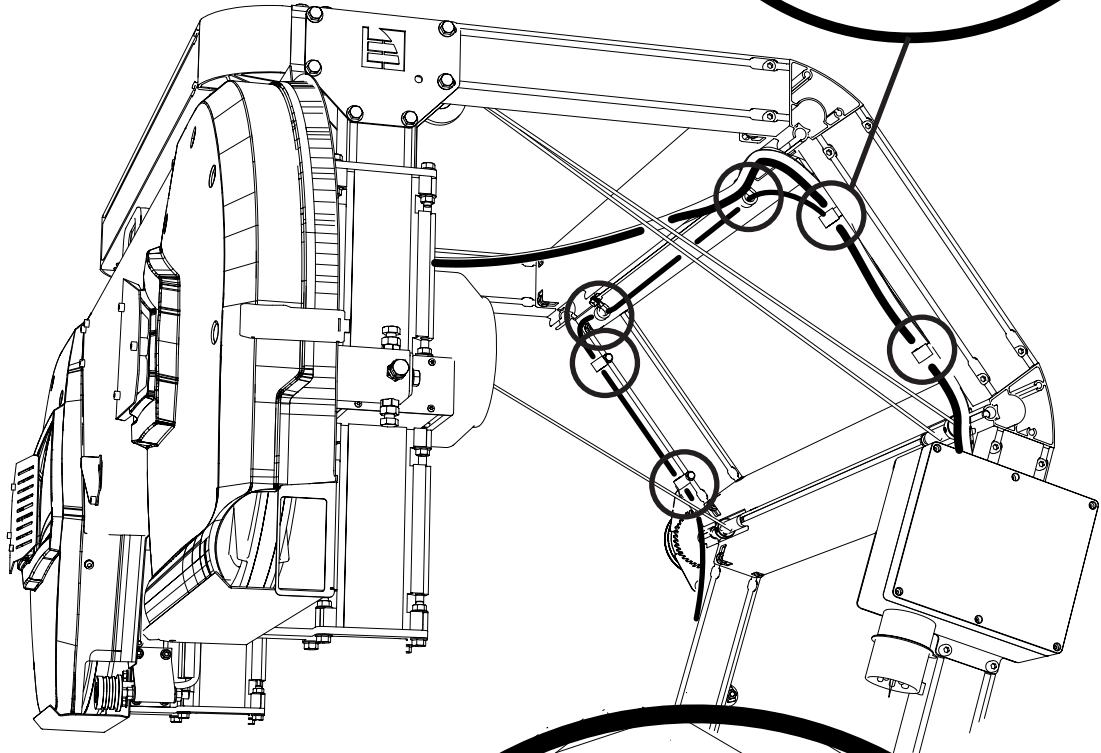
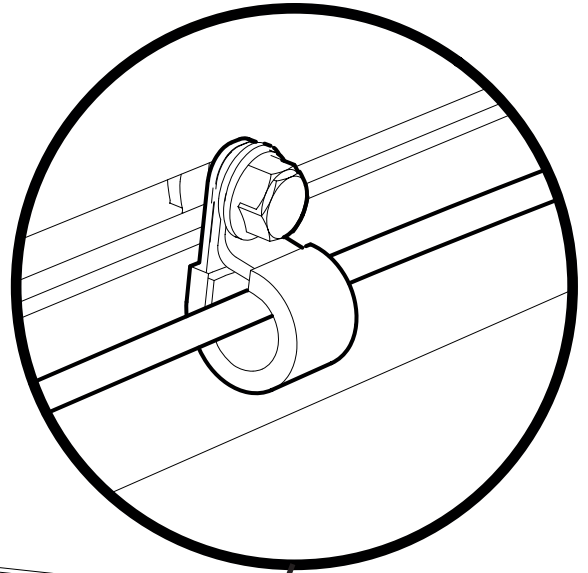


6 x - M6x12

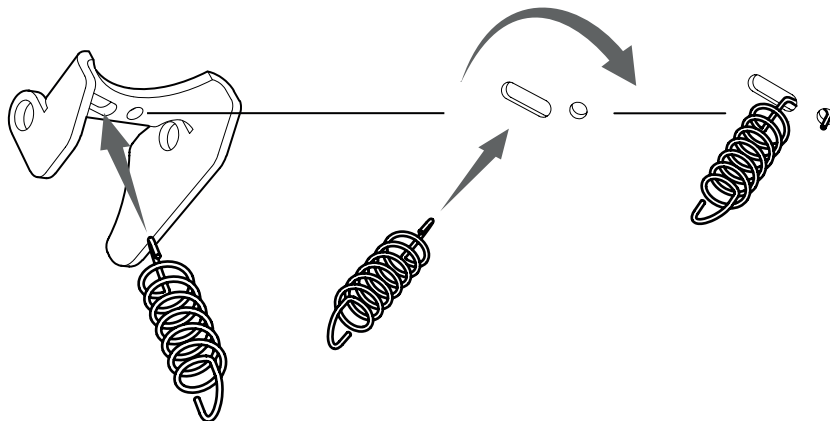


6 x - M6

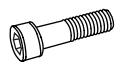
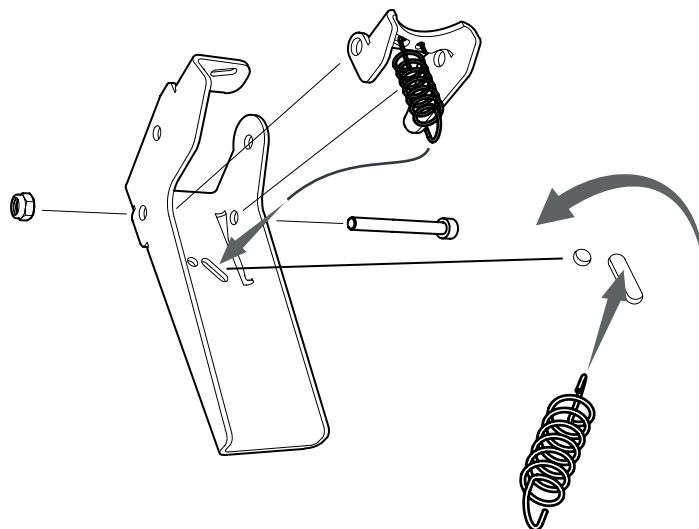
x6



10



11

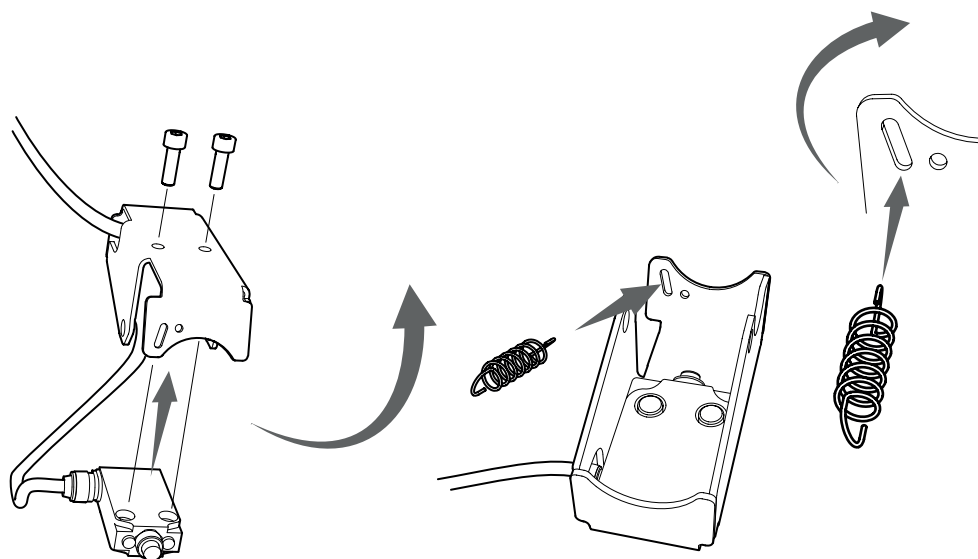


1 x - M5x50



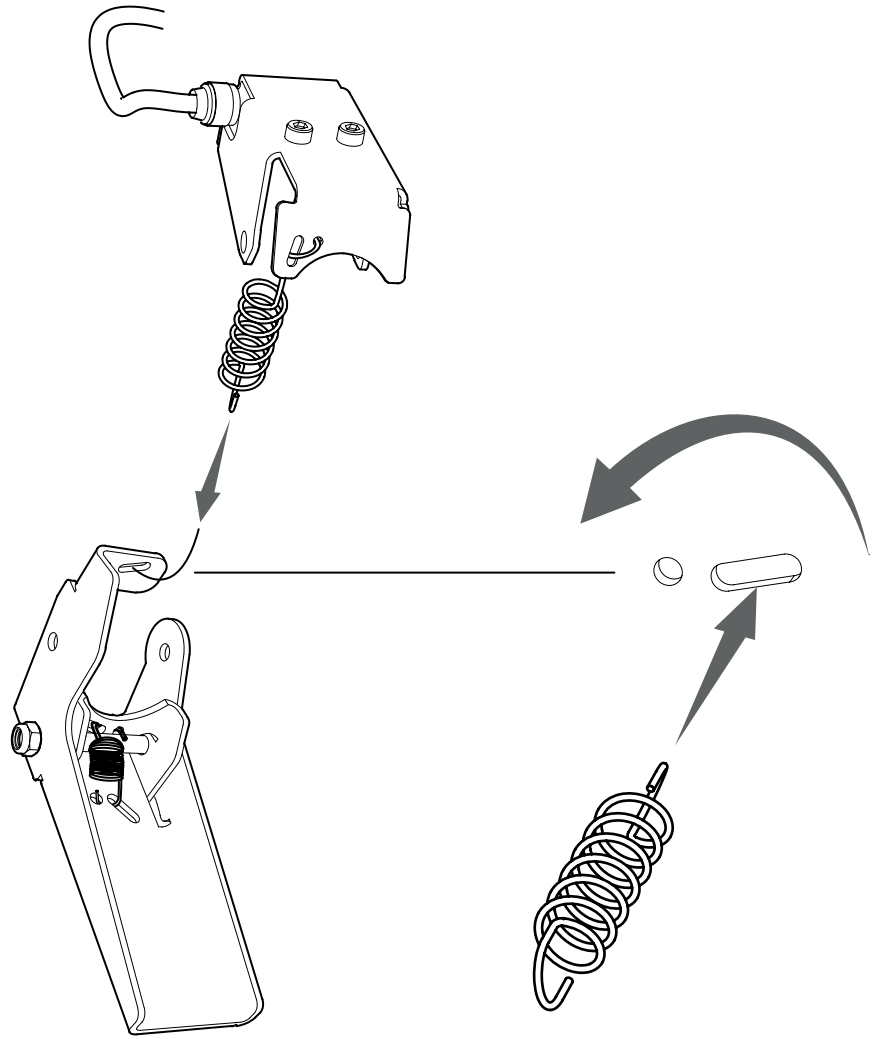
1 x - M5

12



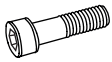
2 x - M5x16

13



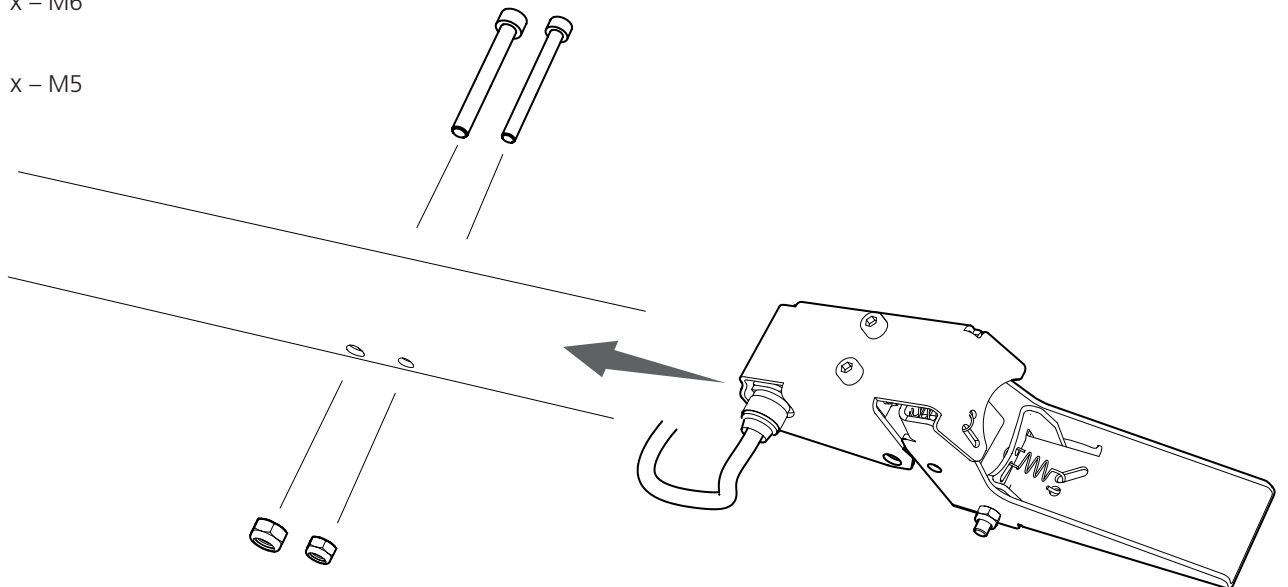
14

 1 x – M6x50

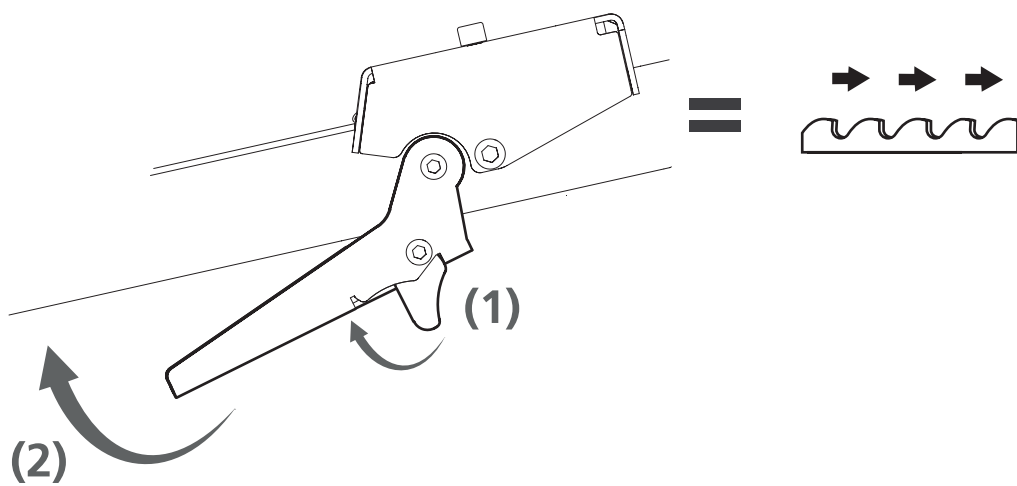
 1 x – M5x50

 1 x – M6

 1 x – M5



START THE MOTOR





Well done!

Now you have finished installing the motor, go back to the manual for your band sawmill and carry on with the setup sequence, starting at the point as indicated in the instructions below.

SETUP SEQUENCE



Read through all the set-up instructions before starting to set up, then follow the instructions step by step as you work.



IMPORTANT!

It is important to adjust the saw head before starting to ensure satisfactory sawing and the correct functioning of the sawmill. Follow the setup sequence carefully! Certain adjustments affect other machine settings.

LOGOSOL

Arkivvägen 6, SE-871 53 Härnösand, Sweden
+46 611-182 85 | info@logosol.com | www.logosol.com