

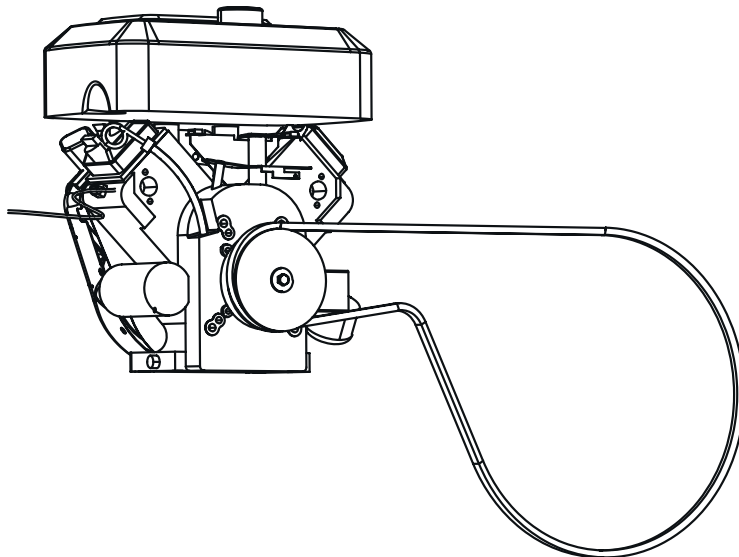


USER MANUAL

ORIGINAL USER MANUAL.

SKU: 0458-395-0891

REV: 2



B901 18 HP PETROL ENGINE

This manual describes installation of the petrol engine for the Logosol band sawmill.
Please see the user manual for your band sawmill for information on assembly, settings and safety instructions.



Read through the user manual carefully and make sure you understand its contents before using the saw.

EN



Read through all the set-up instructions before starting to set up, then follow the instructions step by step as you work.

1

Numbering for installation sequence



After assembly, follow the instructions under *Setup sequence* in the sawmill manual to complete setup before starting the machine.



WARNING! Heavy! Risk of injury.



Two people are always required to help with heavy lifting.



WARNING! Risk of entrapment.

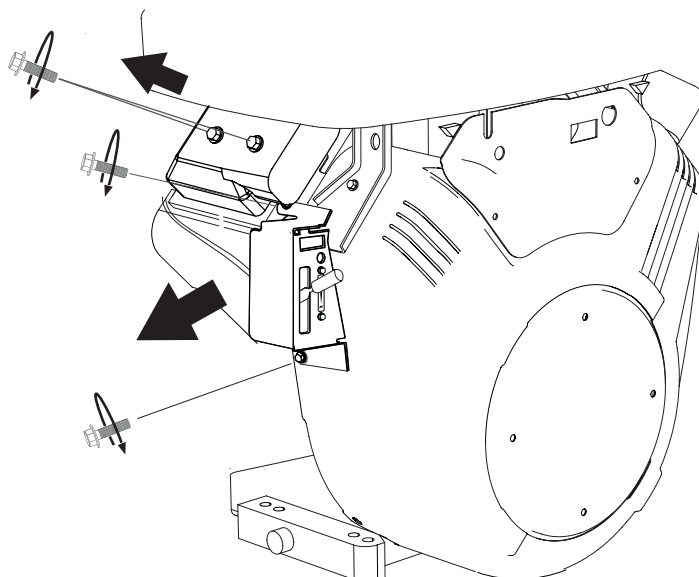


Wear protective gloves and handle the engine carefully when placing it down on the engine shelf.

Release the valve cover fastening screws, then remove the valve cover from the engine. This has to be done in order to access the upper throttle control bracket, which is sited beneath the lower right corner of the valve cover: see Figure 8.

Now release the two fastening screws for the throttle control and remove it from the engine.

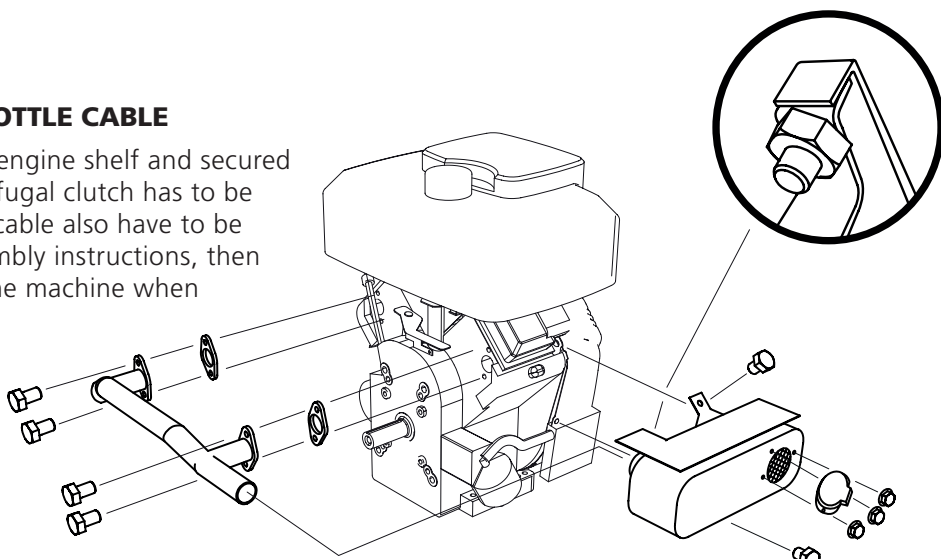
Now refit the valve cover on the engine. Take care to ensure that the valve box gasket is in the groove on the cover when refitting.



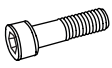

INSTALLATION: ENGINE AND THROTTLE CABLE

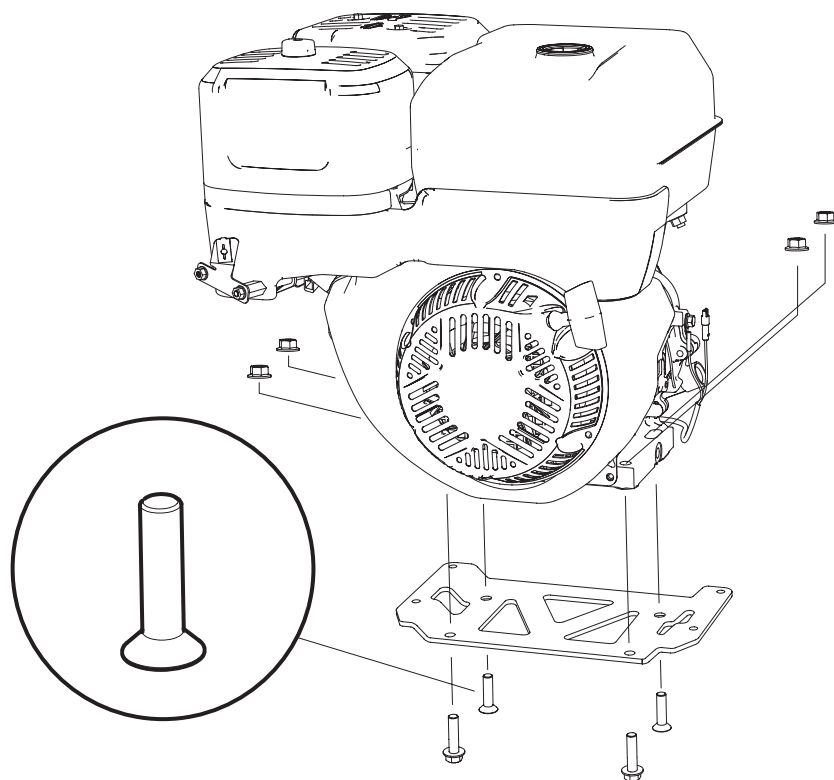
The engine has to be installed on the engine shelf and secured using the fastening screws. The centrifugal clutch has to be fitted, and the drive belt and throttle cable also have to be fitted on the sawmill. Follow the assembly instructions, then run through the setup sequence for the machine when assembly is complete.

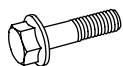
- 1 Fit the manifold and the silencer on the engine.



- 2 Install the engine on the engine shelf:
Install the engine on the saw head before placing the saw head on the rail. Two people are always required to help when the engine is lifted into place. The illustration below shows the hole pattern for installing the 18 and 23 hp Briggs engines, respectively.

- 3
-  4 x – M8x45
 -  4 x – M10





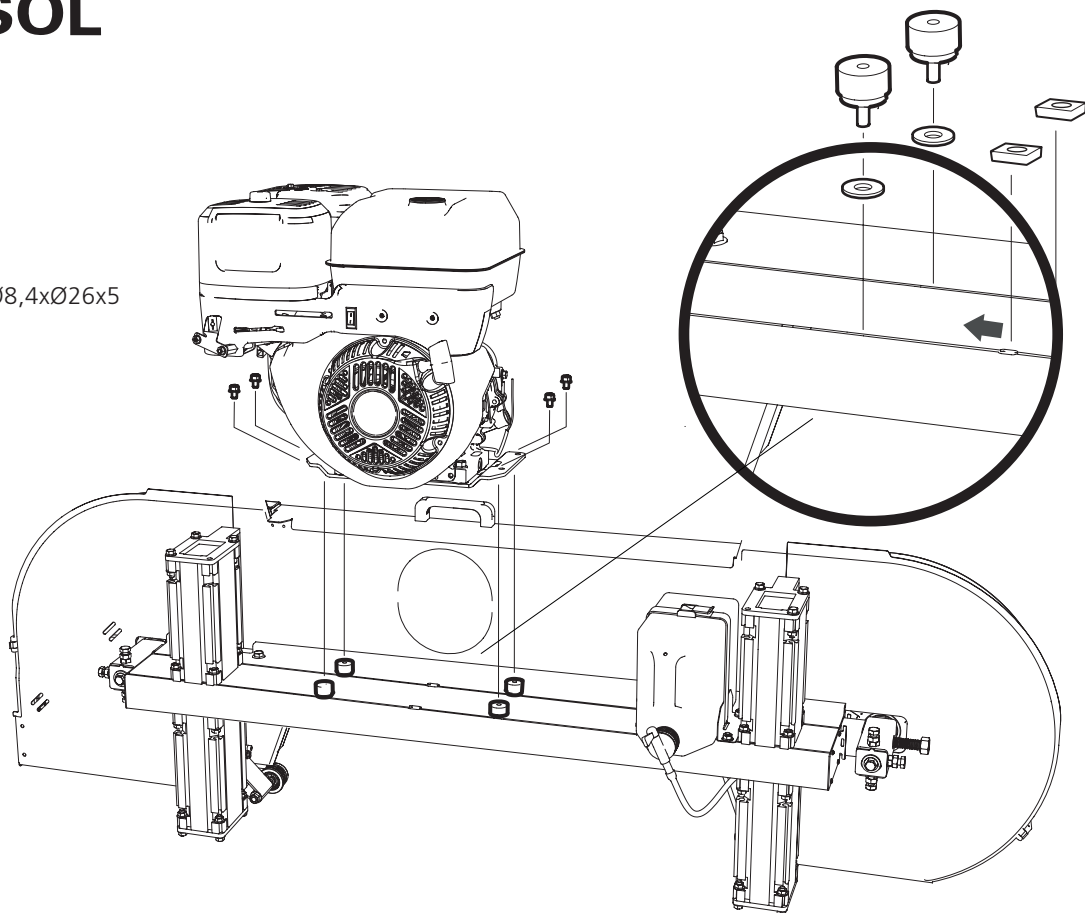
4 x - M8x12



4 x - TBR SB Ø8,4xØ26x5



4 x - M8



3

Fit the centrifugal clutch onto the shaft, secure the clutch with the cross-shaped key.



1 x - 9021-014-0003



1 x - 3/8UNFx32



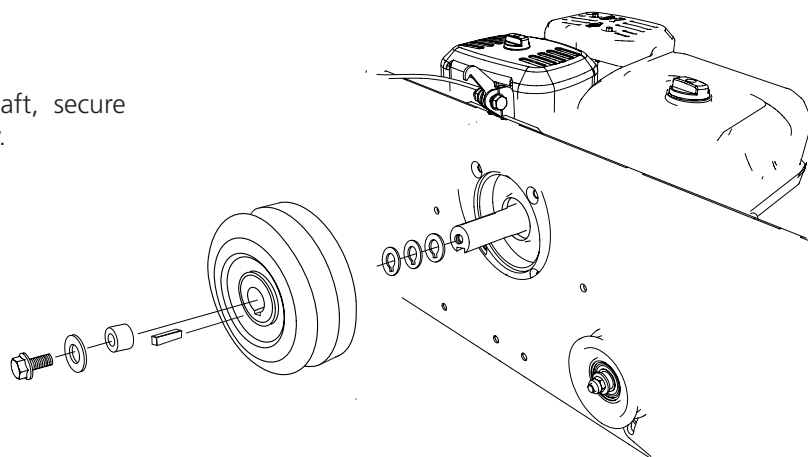
1 x - SRKB11x35x2



4 x - 03-02448



1 x - 03-02053

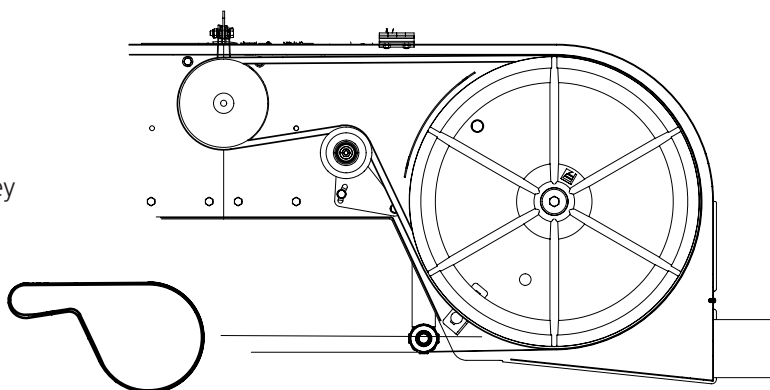


4

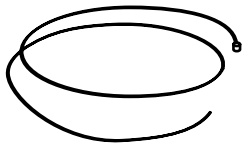
Slip the drive belt around the drive pulley and over the tensioner.



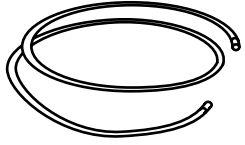
1 x - 9020-011-0091



5



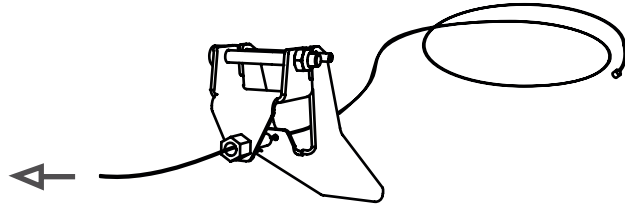
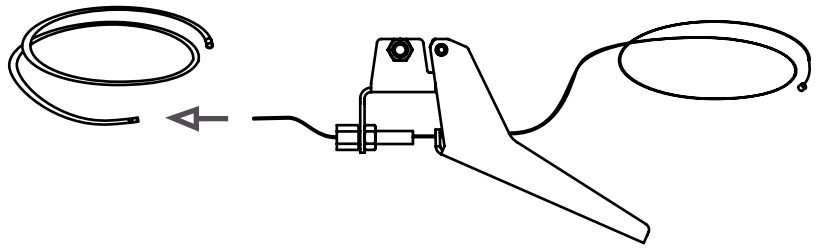
1 x - 8000-001-6055



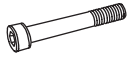
1 x - 8000-001-6057



1 x - 8000-001-6060



7



1 x - M6x50



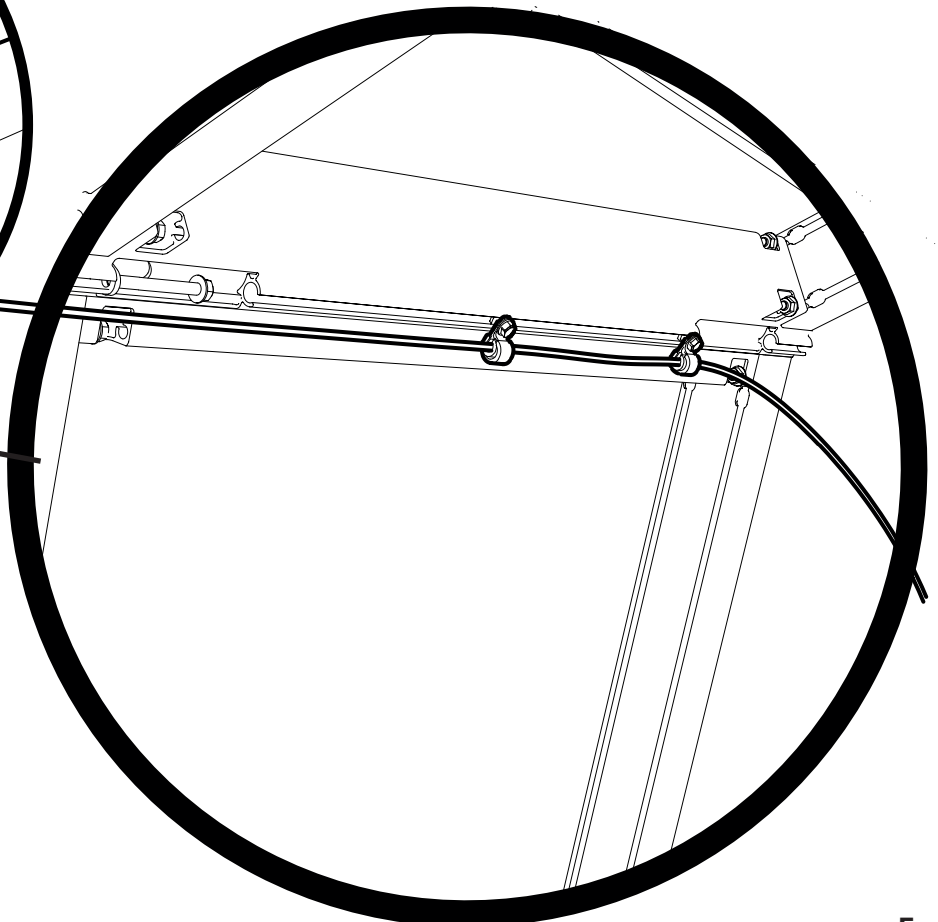
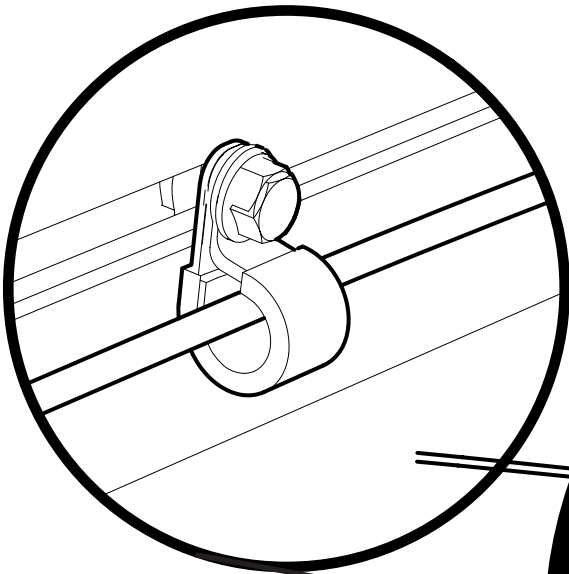
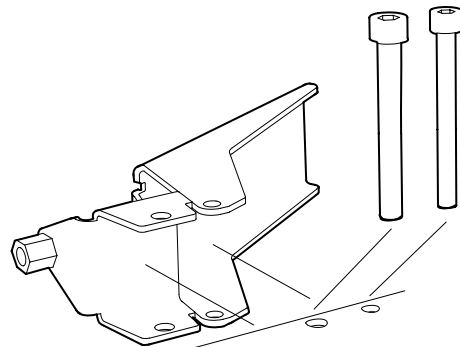
1 x - M5x50



1 x - M6



1 x - M5



8

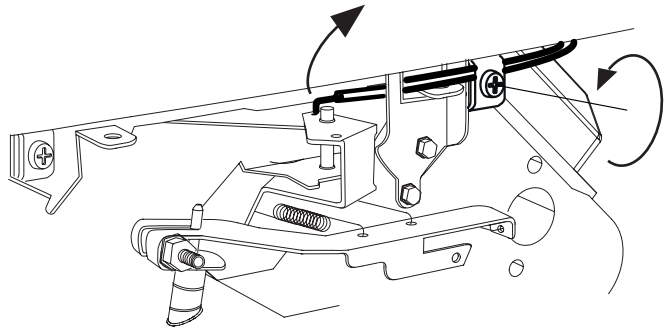


2 x - M6x12

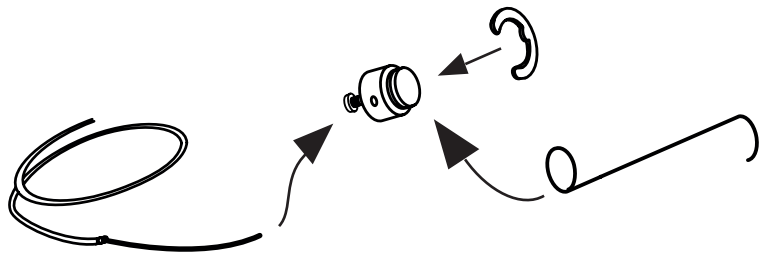


2 x - M6

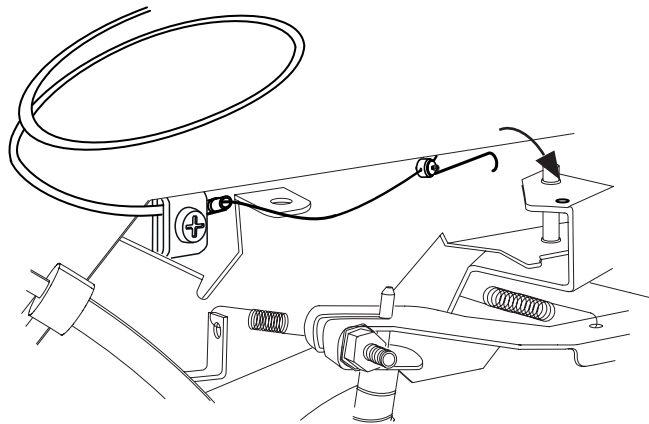
- 8 Release the throttle cable bracket on the front of the engine, then remove the end of the cable from its bracket. This task is easier if you use pliers to remove the end of the cable.



- 9 Fit the throttle link on the cable retainer, then lock the assembly into position using the lock washer.



- 10 Now fit the cable in the cable retainer.



! **WARNING!** Risk of serious injury.

! Before adjusting the throttle cable tension on the engine: Turn the ignition to OFF and close the fuel valve.

! Always start the machine from the operator's station. Always turn off the machine before adjusting the tension of the throttle cable on the engine side.

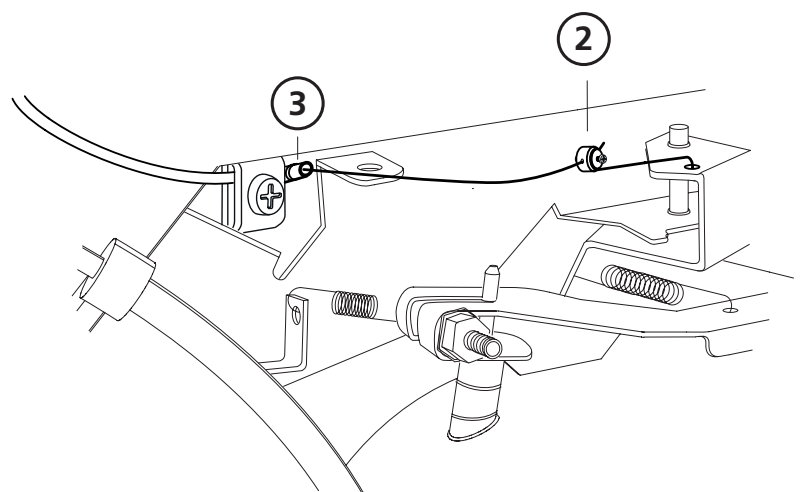
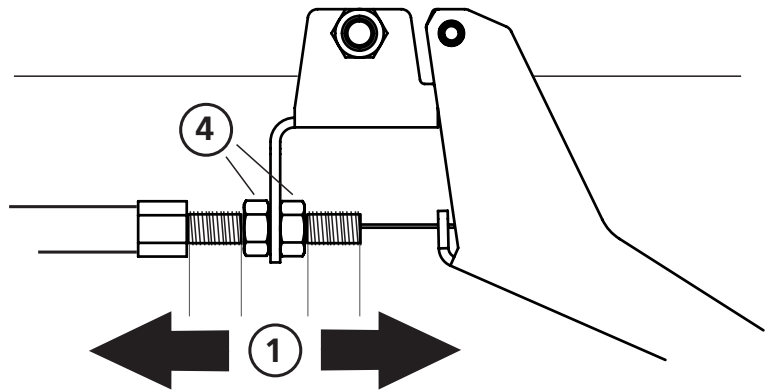
! **WARNING!** Risk of burn injuries. The engine and its silencer become very hot during operation and after the engine has been shut down.

! Allow the engine and silencer to cool before servicing or performing maintenance on the machine.

11

THROTTLE ADJUSTMENT

- Start by adjusting the throttle cable at the throttle handle so that you have equal adjustment travel in both directions **(1)**.
- Attach the other end of the cable housing to the clamp on the engine **(2)**.
- Screw the cable into the nipple **(3)**. Make sure that the throttle is in the neutral/unaffected position when doing this.
- Check that you have 1 to 3 mm of clearance in the throttle handle, and that the cable moves freely. Adjust the cable tension at the throttle handle **(1)**, if necessary
- Start the engine and check that it is idling and that the saw blade does not move while the throttle handle is in idle position. Adjust the cable tension at the throttle handle **(1)**, if necessary
- Secure the adjustment using the locking nuts **(4)**.





WARNING! Risk of serious injury.



The hinge switch for the machine has to be fitted before commissioning the machine.



Always switch off the machine from the operator's position before working on the saw head.



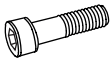
WARNING! Risk of burn injuries. The engine and its silencer become very hot during operation and after the engine has been shut down.



Allow the engine and silencer to cool before servicing or performing maintenance on the machine.

12

Now install the safety hinge on the side of the cover where no hinge is installed. Note that the cable output has to face the middle of the engine shelf.



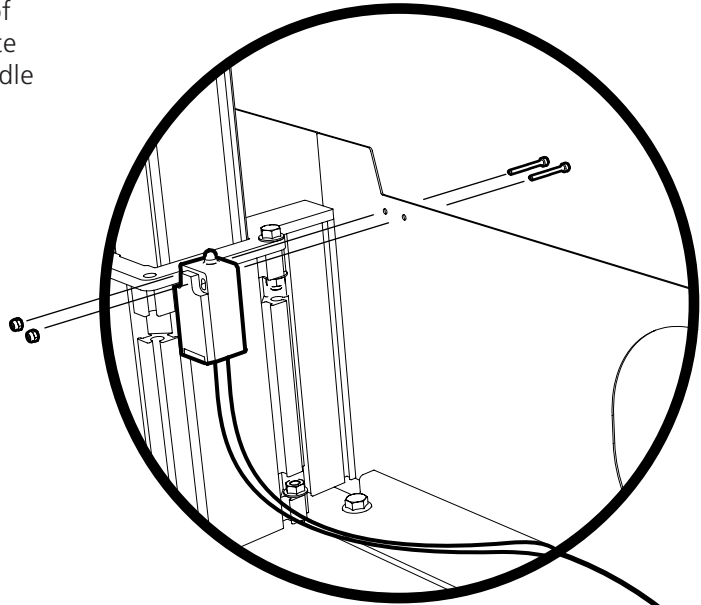
2 x – M4x35



2x – M4



2 x – M4

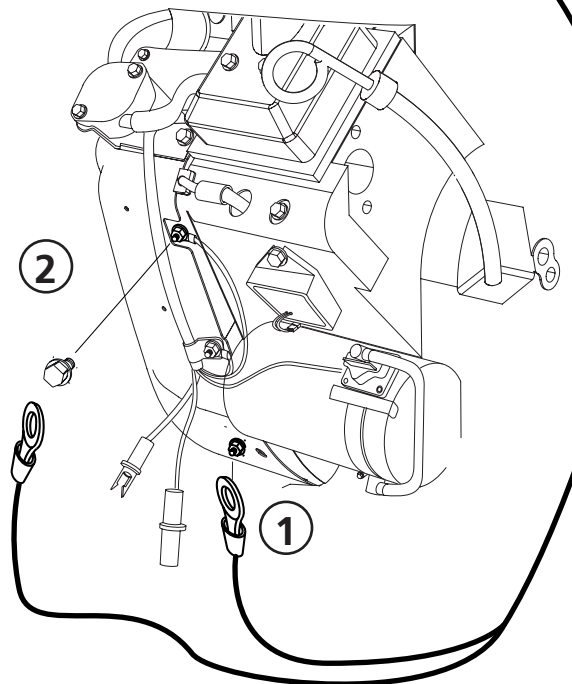


13

Now connect the safety switch to the engine as illustrated.

- Connect **(1)** to the lower engine connector.
- Then secure **(2)** to the top screw.

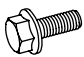

How to check the safety function: Start by opening the cover. Turn the ignition key from the operator's station to start the engine. The installation is correct if the engine does not start when the key is turned. Switch off the engine from the operator's station if the engine starts with the cover open. Then double-check the connection and contact Logosol for support.



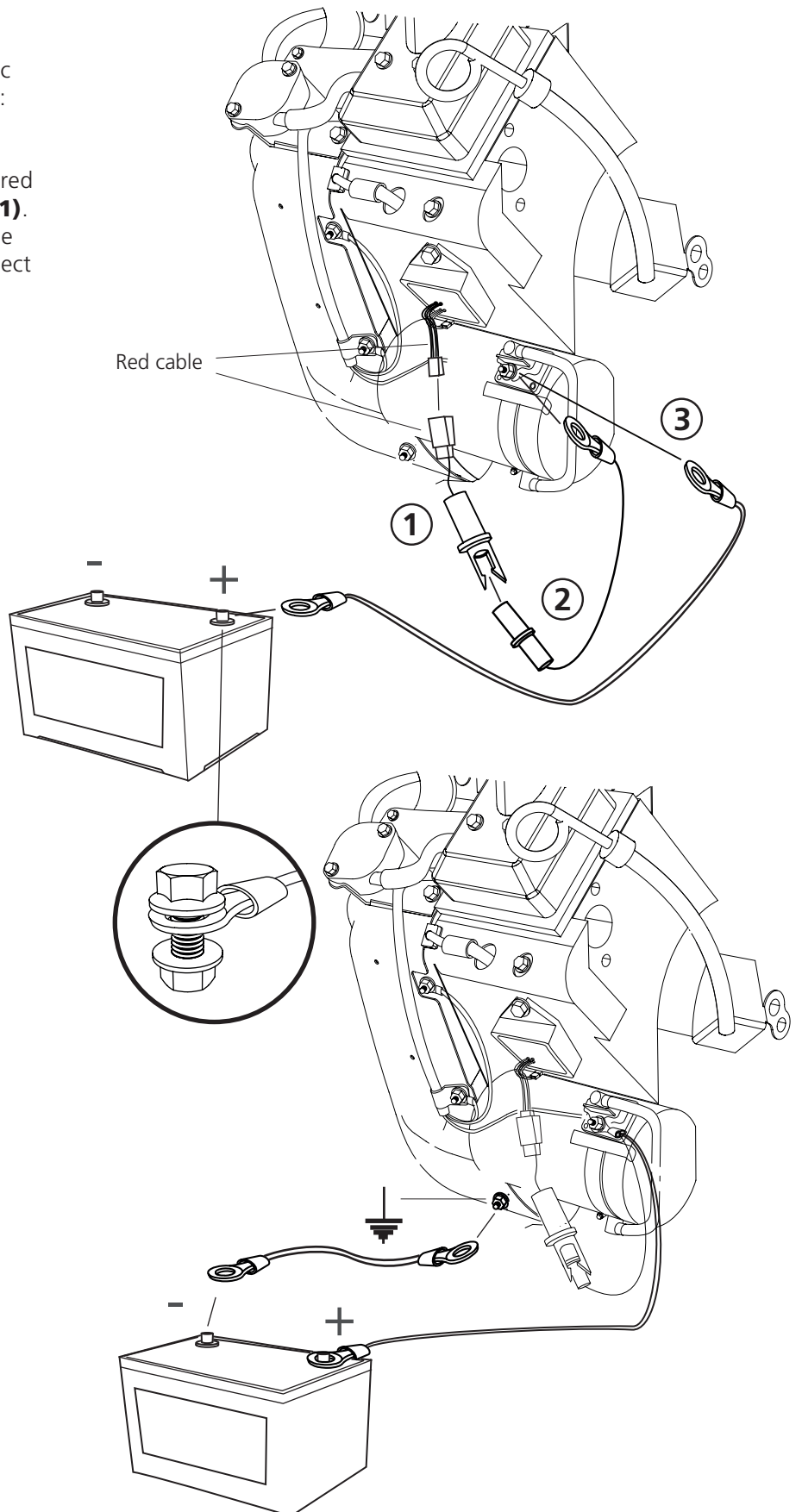
INSTALLATION: ELECTRIC START

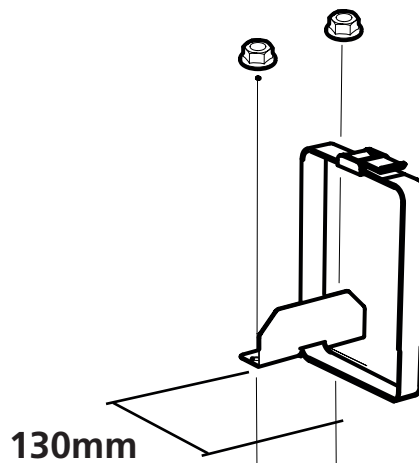
If the engine option comes with electric starting, this is connected as described:

Start by taking the connector with the red cable and plugging it into the engine **(1)**. The cable is packaged together with the user manual for the engine. Then connect it to the plug/+ cable **(2)**. The + cable must then be connected to the alternator output **(3)**. The other end is connected to the battery's positive terminal.

-  2 x – M6x20
-  2 x – M6

Now connect the earth cable to the engine's earth point. The other end must be connected to the battery's negative terminal.



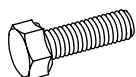


130mm

14



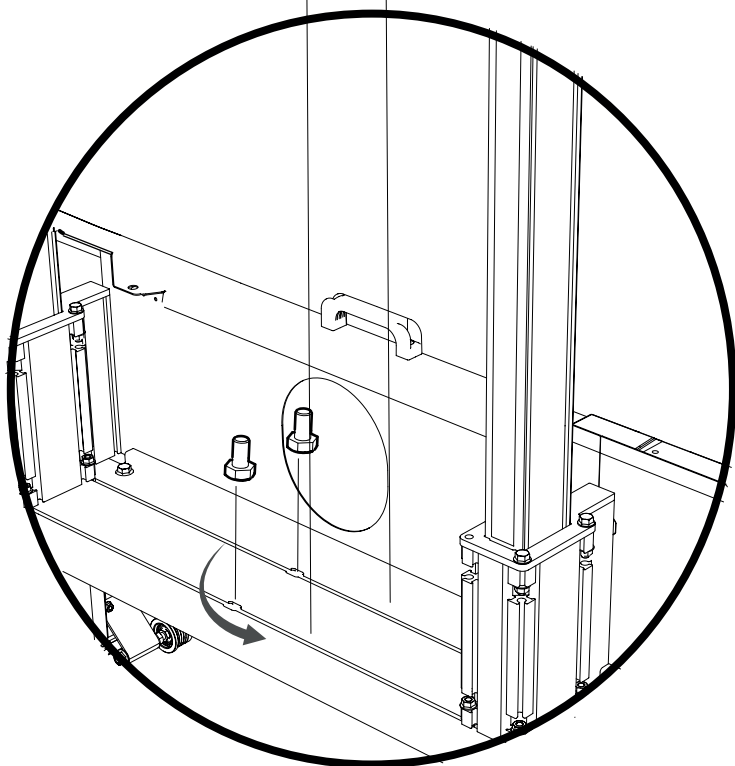
01-01152-DIV



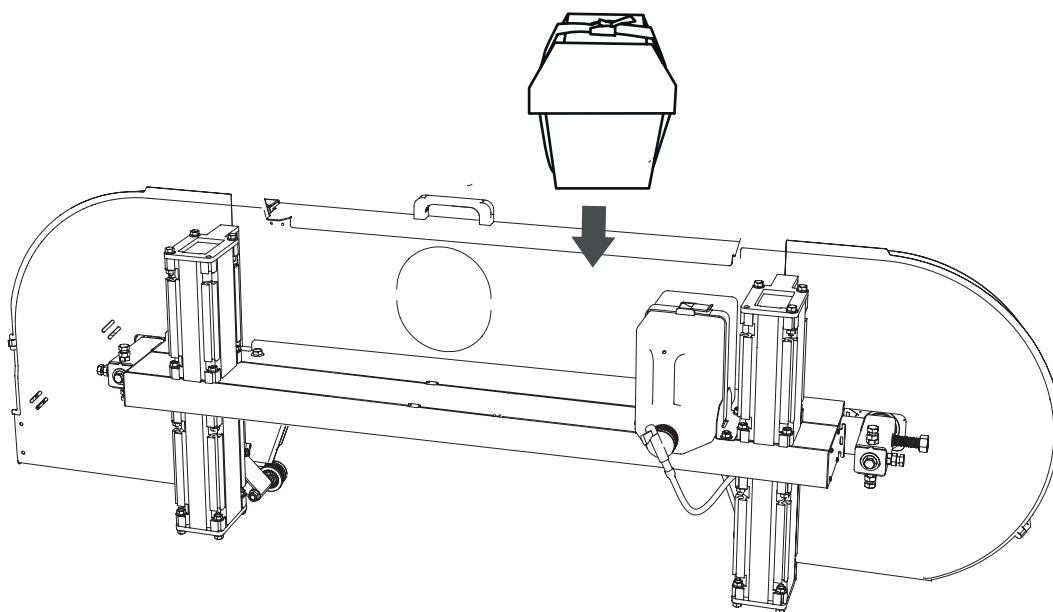
4x - M8x14



4x - M8



The battery is placed in the protective box and tightened with a strap as shown below.





Well done!

Now you have finished installing the engine, go back to the manual for your band sawmill and carry on with the setup sequence, starting at the point as indicated in the instructions below.

SETUP SEQUENCE



Read through all the set-up instructions before starting to set up, then follow the instructions step by step as you work.



IMPORTANT!

It is important to adjust the saw head before starting to ensure satisfactory sawing and the correct functioning of the sawmill. Follow the setup sequence carefully! Certain adjustments affect other machine settings.



Arkiwägen 6, SE-871 53 Härnösand, Sweden
+46 611-182 85 | info@logosol.com | www.logosol.com